

Technical data sheet

Tensioning wire clip G

Item number: 1404180



To fasten cables to tensioning cables. With bolt M4x13.



St Steel

G Electrogalvanized

Master data

Item number	1404180
Type	1020 14-18 G
Description 1	Tensioning wire clip
Description 2	for cable 4-9 mm
Manufacturer	OBO
Dimension	14-18mm
Material	Steel
Surface	Electrogalvanized
Surface standard	EN ISO 19598 / EN ISO 4042
Smallest sales unit	50
Unit of quantity	Piece
Weight	1.65 kg
Weight unit	kg/100 pc.

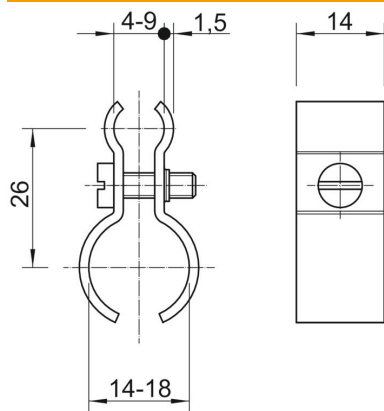
Technical data sheet

Tensioning wire clip G

Item number: 1404180



Dimensions



Dimension A | 26 mm

Technical data

Number of cables/pipes	1
Version for for cable diameter, max.	Not insulated 9 mm
Bolt	M4x14