

Technical data sheet

Tensioning wire clip A4

Item number: 1404292



Tensioning wire clip for cable 4–9 mm 19–28 mm. With V4A bolt M4x14.



CE

A4 Stainless steel

2B Bright, treated

Master data

Item number	1404292
Type	1020 18-28 A4
Description 1	Tensioning wire clip
Description 2	for cable 4-9 mm
Manufacturer	OBO
Dimension	19-28mm
Material	Stainless steel
Surface	Bright, treated
Surface standard	
Smallest sales unit	50
Unit of quantity	Piece
Weight	2 kg
Weight unit	kg/100 pc.

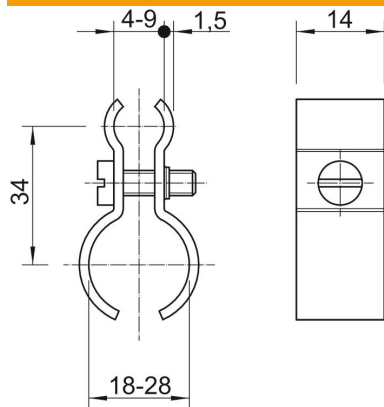
Technical data sheet

Tensioning wire clip A4

Item number: 1404292



Dimensions



Dimension A | 34 mm

Technical data

Number of cables/pipes	1
Version for for cable diameter, max.	Not insulated 9 mm
Bolt	M4x14