

# Technical data sheet

## Cone cable gland, PG thread, light grey

Item number: 2038430



Standard cable gland, shape A, to DIN 46320 with simple NR/SBR sealing ring  
Pg connection thread to DIN 40430

Protection rating: With connection thread sealing ring IP65, without connection  
thread sealing ring IP54.  
Impact-resistant



**PS** Polystyrene

### Master data

Item number	2038430
Type	106+PG09 MG LGR
Description 1	Cable gland
Description 2	with locknut
Available from	28.02.2019
Manufacturer	OBO
Dimension	PG9
Colour	Light grey; RAL 7035
Material	Polystyrene
Smallest sales unit	50
Unit of quantity	Piece
Weight	0.604 kg
Weight unit	kg/100 pc.

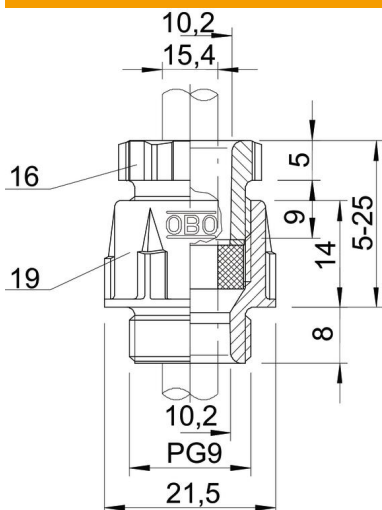
# Technical data sheet

## Cone cable gland, PG thread, light grey

Item number: 2038430



### Dimensions



Dimension D2	21.5 mm
Dimension D3	10.2 mm
Maß D4	10.2 mm
Dimension E1 (mm)	21.5 mm
Dimension E2	10.2 mm
Dimension E3	24 mm
Dimension L max.	25 mm
Dimension L min.	5 mm
Dimension L1	8 mm
Dimension L2	14 mm
Dimension L3	5 mm
Dimension L4	9 mm

### Technical data

Type of seal	Sealing ring
Version for	Straight
Bend protection	no
Sealing area D, max.	7 mm
Sealing area D, min.	4.5 mm
explosion-proof	no
For Ex zone	Without
For Ex zone gas	Without
For Ex zone dust	Without
Thread	Pg 9
Thread type	PG
Nominal thread size	9
Fibre-glass reinforced	no
Halogen-free	yes
Sealing insert, multiple	no
With locknut	no
Impact-resistant	no
WAF 1	19 mm
WAF 2	16 mm
WAF 3	22 mm
Protection rating	IP65
Splittable gland	no
Permitted temperature range, max.	65 °C
Permitted temperature range, min.	-20 °C
Strain relief option	no