

Technical data sheet

Cone cable gland, PG thread, light grey

Item number: 2038442



Standard cable gland, shape A, to DIN 46320 with simple NR/SBR sealing ring
Pg connection thread to DIN 40430

Protection rating: With connection thread sealing ring IP65, without connection
thread sealing ring IP54.
Impact-resistant



PS Polystyrene

Master data

Item number	2038442
Type	106+PG36 MG LGR
Description 1	Cable gland
Description 2	with locknut
Available from	28.02.2019
Manufacturer	OBO
Dimension	PG36
Colour	Light grey; RAL 7035
Material	Polystyrene
Smallest sales unit	10
Unit of quantity	Piece
Weight	6.302 kg
Weight unit	kg/100 pc.

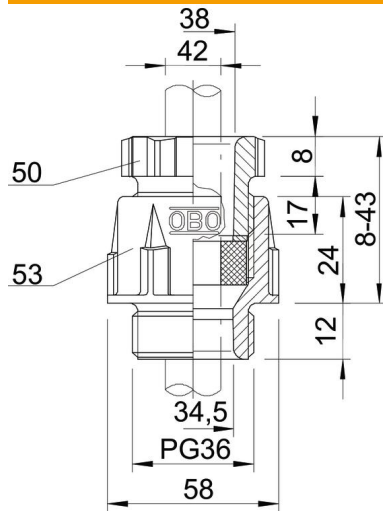
Technical data sheet

Cone cable gland, PG thread, light grey



Item number: 2038442

Dimensions



Dimension D2	58 mm
Dimension D3	38 mm
Maß D4	34.5 mm
Dimension E1 (mm)	58 mm
Dimension E2	38.4 mm
Dimension E3	66 mm
Dimension L max.	43 mm
Dimension L min.	8 mm
Dimension L1	12 mm
Dimension L2	24 mm
Dimension L3	8 mm
Dimension L4	17 mm

Technical data

Type of seal	Sealing ring
Version for	Straight
Bend protection	no
Sealing area D, max.	33 mm
Sealing area D, min.	25 mm
explosion-proof	no
For Ex zone	Without
For Ex zone gas	Without
For Ex zone dust	Without
Thread	Pg 36
Thread type	PG
Nominal thread size	36
Fibre-glass reinforced	no
Halogen-free	yes
Sealing insert, multiple	no
With locknut	no
Impact-resistant	no
WAF 1	53 mm
WAF 2	50 mm
WAF 3	60 mm
Protection rating	IP65
Splittable gland	no
Permitted temperature range, max.	65 °C
Permitted temperature range, min.	-20 °C
Strain relief option	no