

Technical data sheet

Pressure screw, PG strain relief 106

Item number: 2023601



With metric connecting thread to IEC 423, robust cap-nut cable gland with large sealing area. Strain relief, torsion protection and tightness over the whole clamping area. Sealing ring made of polychloroprene/acrylonitrile butadiene rubber. Moulded shaped sealing lip on intermediate support, thus no connection thread sealing ring required, VDE-tested to DIN EN 50262, . Temperature range -20 °C to +65 °C.



PC Polycarbonate

Master data

Item number	2023601
Type	106 Z DR PG16
Description 1	Pressure screw
Description 2	with strain relief
Manufacturer	OBO
Dimension	PG16
Colour	Light grey; RAL 7035
Material	Polycarbonate
Smallest sales unit	100
Unit of quantity	Piece
Weight	0.41 kg
Weight unit	kg/100 pc.

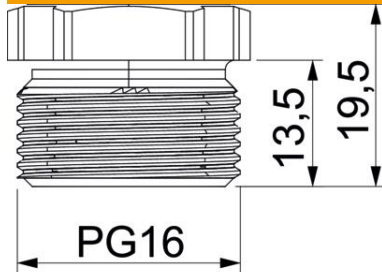
Technical data sheet

Pressure screw, PG strain relief 106

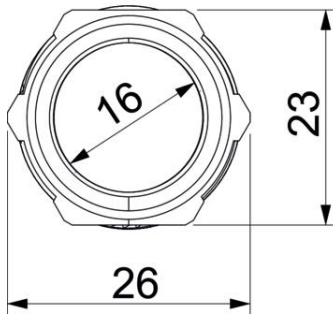
Item number: 2023601



Dimensions



Dimension D	16 mm
Dimension E	26 mm
Dimension L1	13.5 mm
Dimension L2	19.5 mm



Technical data

Thread type	PG
Thread length	13.5 mm
Nominal thread size	16
Thread increase	1.41 mm
Fibre-glass reinforced	no
Impact-resistant	no
WAF	23
Permitted temperature range, max.	65 °C
Permitted temperature range, min.	-20 °C
Strain relief option	yes