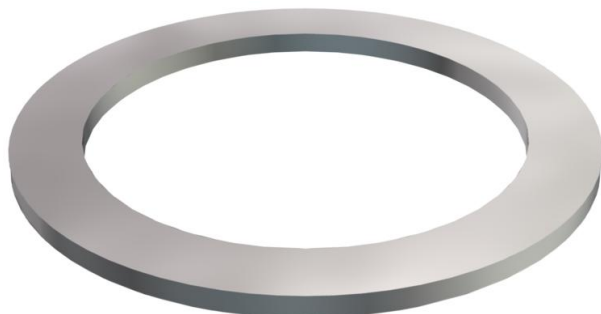


Technical data sheet

Pressure ring, PG thread

Item number: 2027151



Pressure ring, Part 7, to DIN 46320, suitable for plastic and brass glands to DIN 46320.



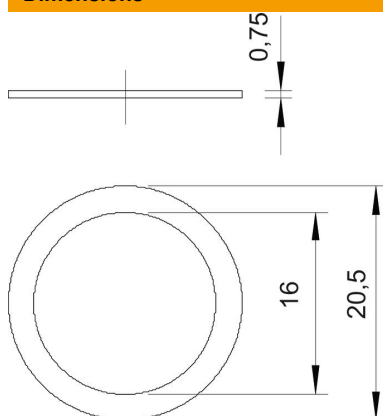
St Steel

GTP Electrogalvanized, transparently passivated

Master data

Item number	2027151
Type	107 D PG16 GTP
Description 1	Pressure ring
Manufacturer	OBO
Dimension	PG16
Material	Steel
Surface	Electrogalvanized, transparently passivated
Surface standard	
Smallest sales unit	100
Unit of quantity	Piece
Weight	0.076 kg
Weight unit	kg/100 pc.

Dimensions



Dimension D1	20.5 mm
Dimension D2	16 mm

Technical data sheet

Pressure ring, PG thread

Item number: 2027151



Technical data

Version for	Miscellaneous
Screw for PG thread dimension	16
Inner diameter	16 mm