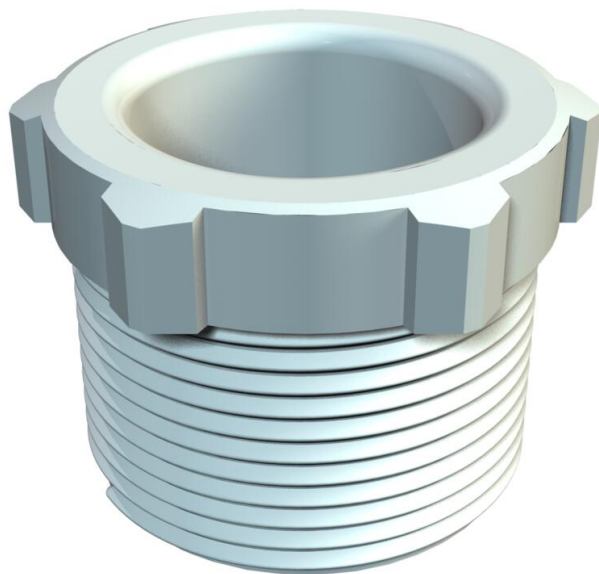


# Technical data sheet

## Pressure screw, PG thread, fibre-glass reinforced

Item number: 2025531



Pressure screw, Part 1, to DIN 46320, fibreglass reinforced.



**PA** Polyamide

### Master data

Item number	2025531
Type	107 E PG11 PA
Description 1	Pressure screw
Manufacturer	OBO
Dimension	PG11
Colour	Light grey; RAL 7035
Material	Polyamide
Smallest sales unit	100
Unit of quantity	Piece
Weight	0.306 kg
Weight unit	kg/100 pc.

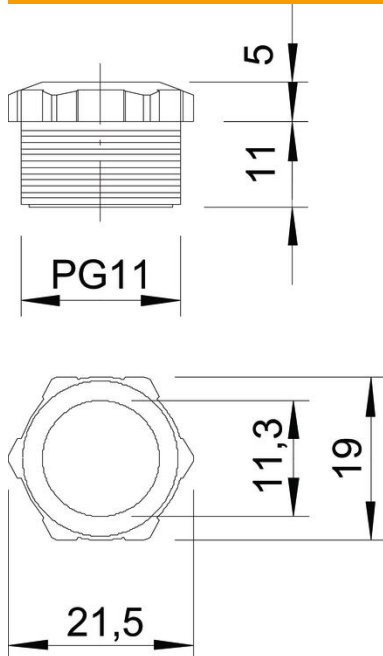
# Technical data sheet

Pressure screw, PG thread, fibre-glass reinforced

Item number: 2025531



## Dimensions



Dimension D	11.3 mm
Dimension L1	10 mm
Dimension L2	5 mm

## Technical data

Thread type	PG
Nominal thread size	11
Thread increase	1.41 mm
Fibre-glass reinforced	yes
Halogen-free	yes
Impact-resistant	no
WAF	19
Strain relief option	no