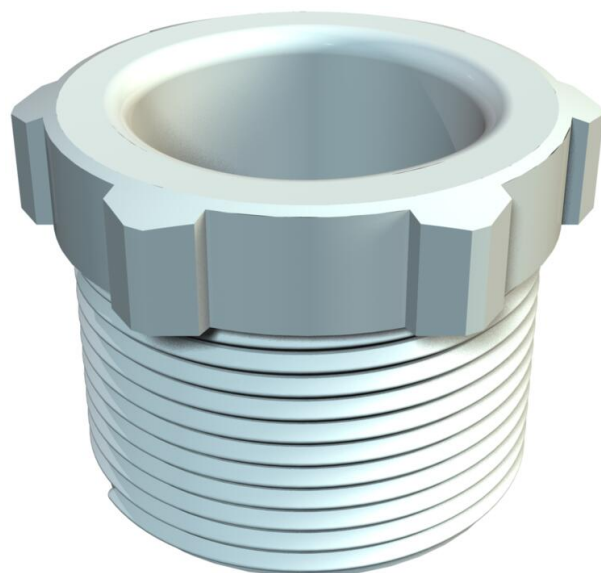


# Technical data sheet

## Pressure screw, PG thread, fibre-glass reinforced

Item number: 2025604



Pressure screw, Part 1, to DIN 46320, fibreglass reinforced.



**PA** Polyamide

### Master data

Item number	2025604
Type	107 E PG21 PA
Description 1	Pressure screw
Manufacturer	OBO
Dimension	PG21
Colour	Light grey; RAL 7035
Material	Polyamide
Smallest sales unit	50
Unit of quantity	Piece
Weight	0.78 kg
Weight unit	kg/100 pc.

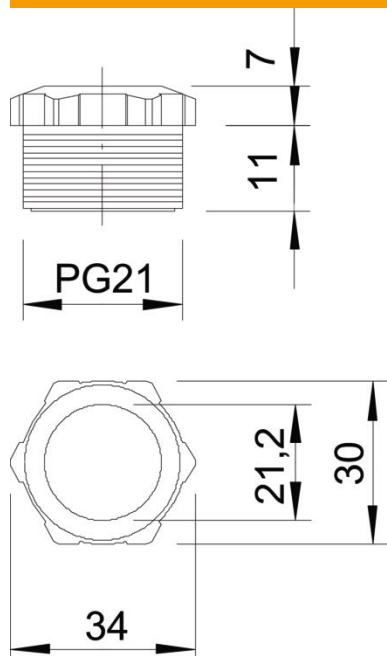
# Technical data sheet

Pressure screw, PG thread, fibre-glass reinforced

Item number: 2025604



## Dimensions



Dimension D	21.2 mm
Dimension L1	17 mm
Dimension L2	7 mm

## Technical data

Thread type	PG
Nominal thread size	21
Fibre-glass reinforced	no
Halogen-free	yes
Impact-resistant	yes
WAF	30
Strain relief option	no