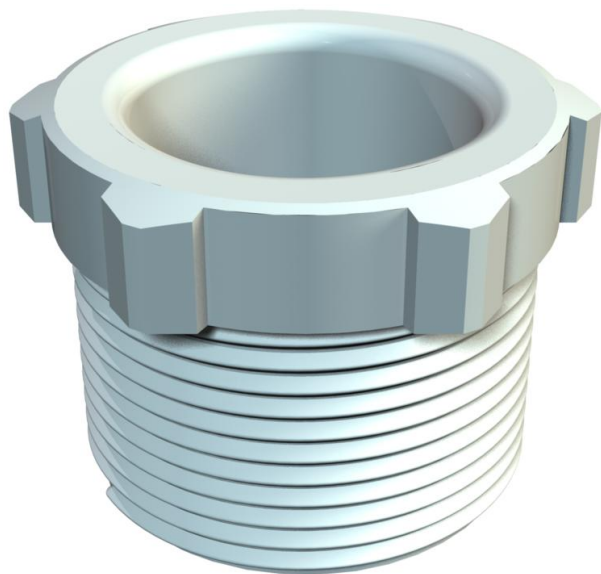


Technical data sheet

Pressure screw, PG thread, light grey

Item number: 2025299



Pressure screw (Part 1) to DIN 46320, with Pg thread DIN 40430.



PS Polystyrene

Master data

| | |
|---------------------|----------------------|
| Item number | 2025299 |
| Type | 107 E PG29 PS |
| Description 1 | Pressure screw |
| Manufacturer | OBO |
| Dimension | PG29 |
| Colour | Light grey; RAL 7035 |
| Material | Polystyrene |
| Smallest sales unit | 25 |
| Unit of quantity | Piece |
| Weight | 1.047 kg |
| Weight unit | kg/100 pc. |

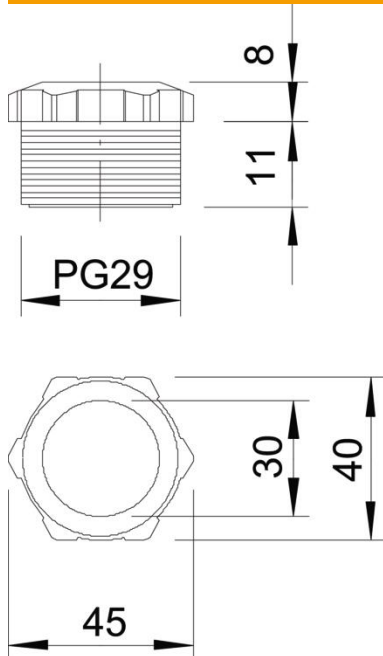
Technical data sheet

Pressure screw, PG thread, light grey

Item number: 2025299



Dimensions



| | |
|--------------|-------|
| Dimension D | 30 mm |
| Dimension E | 45 mm |
| Dimension L1 | 18 mm |
| Dimension L2 | 8 mm |

Technical data

| | |
|------------------------|---------|
| Thread type | PG |
| Nominal thread size | 29 |
| Thread increase | 1.59 mm |
| Fibre-glass reinforced | no |
| Halogen-free | yes |
| Impact-resistant | yes |
| WAF | 40 |
| Strain relief option | no |