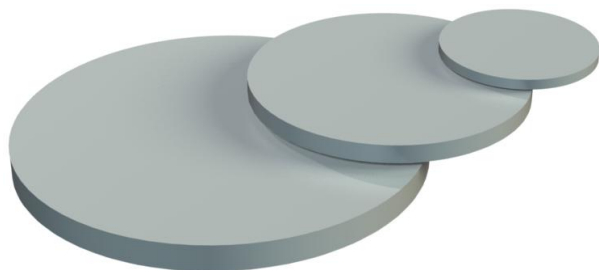


Technical data sheet

Sealing plate, PG

Item number: 2029758



The sealing plate offers both mechanical protection and the maintenance of the protection rating of plastic and metal cable glands to DIN 46320 before cable installation.

Application: the discs are placed between the pressure screw and the pressure ring. If the safe maintenance of IP65 is required, we recommend placing the discs between the pressure ring and the sealing ring. To mount the cable, remove the discs – they can be reused.

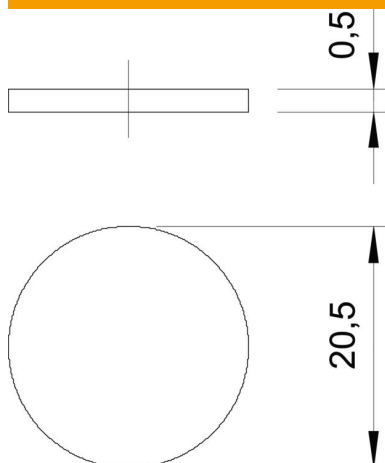


PVC Polyvinylchloride

Master data

Item number	2029758
Type	107 V PG16 PVC
Description 1	Sealing plate
Manufacturer	OBO
Dimension	PG16
Colour	Light grey; RAL 7035
Material	Polyvinylchloride
Smallest sales unit	100
Unit of quantity	Piece
Weight	0.048 kg
Weight unit	kg/100 pc.

Dimensions



Dimension D	20.5 mm
Dimension t	0.5 mm

Technical data sheet

Sealing plate, PG

Item number: 2029758



Technical data

Version for	Miscellaneous
Screw for PG thread dimension	16