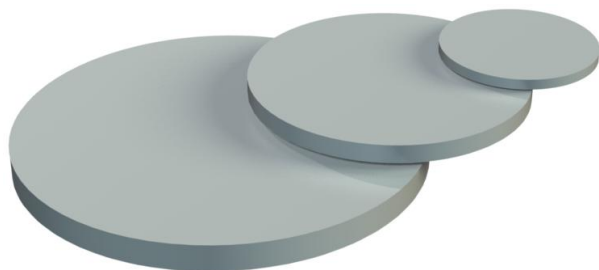


# Technical data sheet

## Sealing plate, PG

Item number: 2029766



The sealing plate offers both mechanical protection and the maintenance of the protection rating of plastic and metal cable glands to DIN 46320 before cable installation.

Application: the discs are placed between the pressure screw and the pressure ring. If the safe maintenance of IP65 is required, we recommend placing the discs between the pressure ring and the sealing ring. To mount the cable, remove the discs – they can be reused.

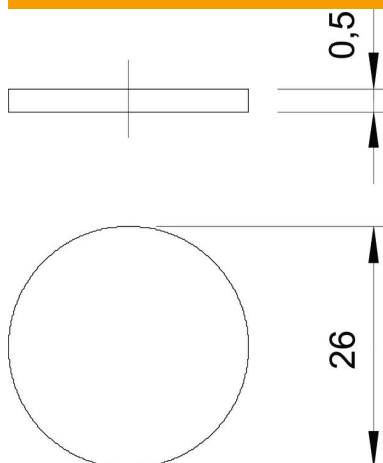


**PVC** Polyvinylchloride

### Master data

Item number	2029766
Type	107 V PG21 PVC
Description 1	Sealing plate
Manufacturer	OBO
Dimension	PG21
Colour	Light grey; RAL 7035
Material	Polyvinylchloride
Smallest sales unit	100
Unit of quantity	Piece
Weight	0.075 kg
Weight unit	kg/100 pc.

### Dimensions



Dimension D	26 mm
Dimension t	0.5 mm

# Technical data sheet

Sealing plate, PG

Item number: 2029766



## Technical data

Version for	Miscellaneous
Screw for PG thread dimension	21