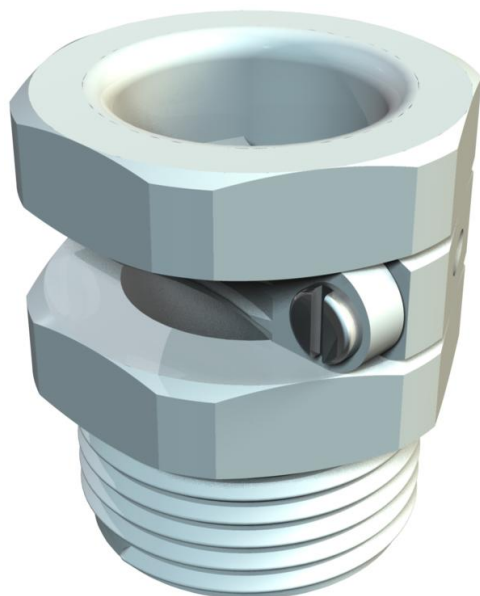


Technical data sheet

Pressure screw, PG strain relief 107

Item number: 2023121



Pressure screw with transverse clip strain relief, electrogalvanised steel screws, PG thread to DIN 40430.



PA Polyamide

Master data

Item number	2023121
Type	107 Z PG13.5 PA
Description 1	Pressure screw
Description 2	with strain relief
Manufacturer	OBO
Dimension	PG13,5
Colour	Light grey; RAL 7035
Material	Polyamide
Smallest sales unit	100
Unit of quantity	Piece
Weight	0.68 kg
Weight unit	kg/100 pc.

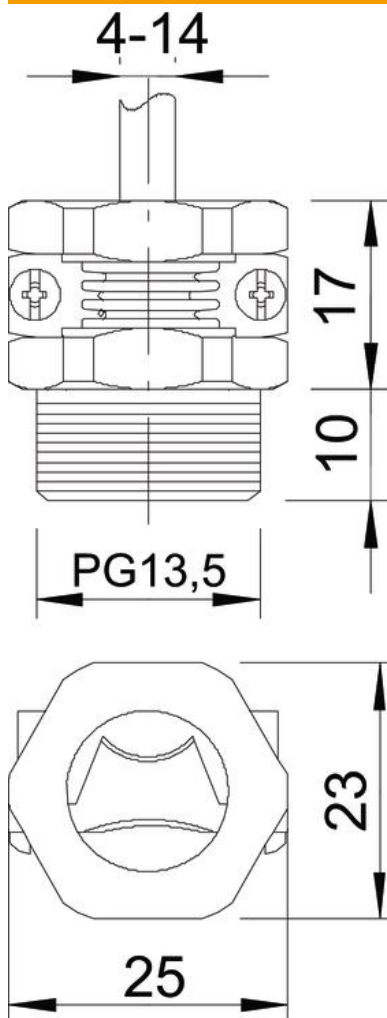
Technical data sheet

Pressure screw, PG strain relief 107

Item number: 2023121



Dimensions



Dimension E	25 mm
Dimension L1	10 mm
Dimension L2	17 mm

Technical data

Thread type	PG
Nominal thread size	13.5
Thread increase	1.41 mm
Fibre-glass reinforced	no
Halogen-free	yes
Impact-resistant	no
WAF	23
Strain relief option	yes
Clamping range, max.	14.3 mm
Clamping range, min.	4.1 mm