

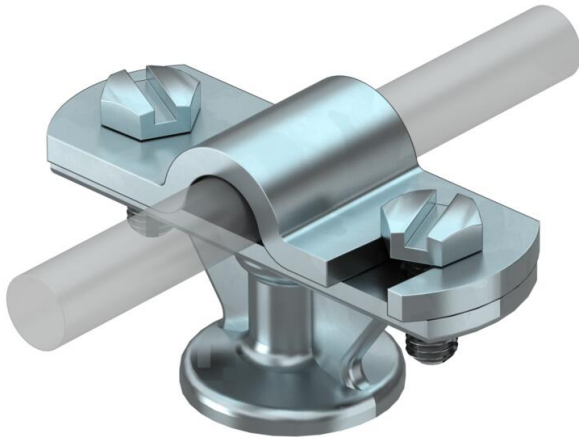
Technical data sheet

Cable bracket with hinged crossbar Rd 8–10 mm

Item number: 5229961



- With female thread M8 or through hole Ø 7 mm
- Hinge crossbar for quick swivel mounting
- Crossbar mounted with 2 hexagonal bolts



- Zn** Die-cast zinc
- G** Electrogalvanized

Master data

Item number	5229961
Type	113 Z-K 8-10
Description 1	Cable fixing device
Manufacturer	OBO
Dimension	8-10mm
Material	Die-cast zinc
Surface	Electrogalvanized
Surface standard	EN ISO 19598 / EN ISO 4042
Smallest sales unit	20
Unit of quantity	Piece
Weight	6.202 kg
Weight unit	kg/100 pc.

Technical data

Holder fastening type	Drill hole with M-thread
Conductor fastening type	With screw clip
Use in Ex area	yes
Thread metric	8
High voltage-resistant, insulated version	no
Cable dimensions	8–10 mm round

Technical data sheet

Cable bracket with hinged crossbar Rd 8–10 mm

Item number: 5229961



Technical data

Material of the holder	Die-cast zinc
Material of the base	Die-cast zinc
Material of the crossbar	Die-cast zinc