

# Technical data sheet

Locknut, metric thread, silver grey

Item number: 2048809



Locknut to DIN 46319, with metric thread IEC 423.



PA Polyamide

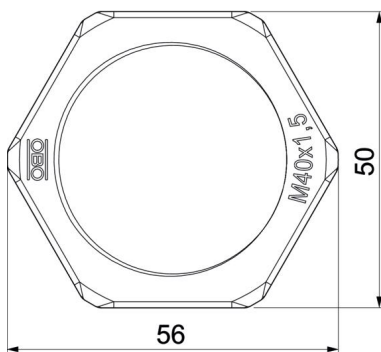
## Master data

|                     |                       |
|---------------------|-----------------------|
| Item number         | 2048809               |
| Type                | 116 M40 SGR PA        |
| Description 1       | Locknut               |
| Manufacturer        | OBO                   |
| Dimension           | M40                   |
| Colour              | Silver grey; RAL 7001 |
| Material            | Polyamide             |
| Smallest sales unit | 25                    |
| Unit of quantity    | Piece                 |
| Weight              | 0.602 kg              |
| Weight unit         | kg/100 pc.            |

## Dimensions



|             |       |
|-------------|-------|
| Dimension E | 56 mm |
| Dimension L | 7 mm  |



## Technical data

|                               |           |
|-------------------------------|-----------|
| Thread                        | M40_x_1,5 |
| Thread type                   | Metric    |
| Nominal thread size metric/PG | 40        |
| Fibre-glass reinforced        | no        |
| Halogen-free                  | yes       |
| Impact-resistant              | no        |
| WAF                           | 50        |