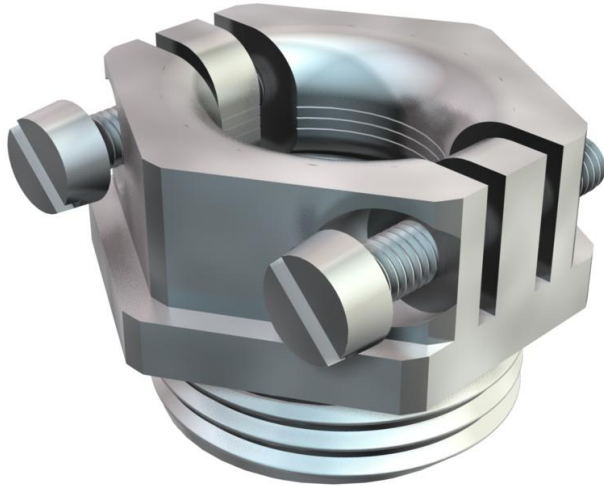


Technical data sheet

Pressure screw, PG strain relief

Item number: 2013169



Pressure screw with centrally acting transverse clip strain relief, rust-proof stainless steel screws.

With bend protection and strain relief.

* Prices according to DEL notation.



CuZn Brass
37

N Nickel-plated

Master data

Item number	2013169
Type	157 MS PG16
Description 1	Pressure screw
Description 2	with strain relief
Manufacturer	OBO
Dimension	PG16
Material	Brass
Surface	Nickel-plated
Surface standard	
Smallest sales unit	50
Unit of quantity	Piece
Weight	3.4 kg
Weight unit	kg/100 pc.

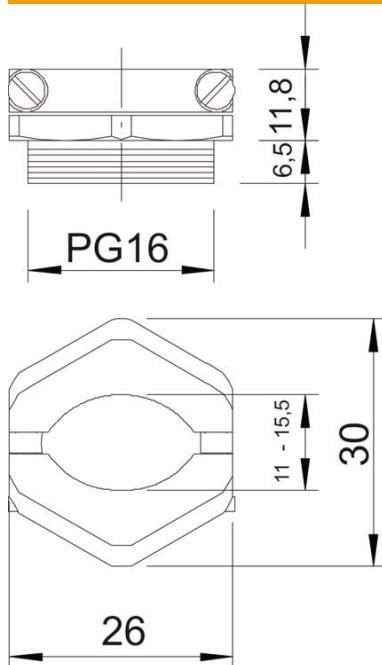
Technical data sheet

Pressure screw, PG strain relief

Item number: 2013169



Dimensions



Dimension D	9 mm
Dimension E	30 mm
Dimension L1	6.5 mm
Dimension L2	11.8 mm

Technical data

Thread type	PG
Thread length	6.5 mm
Nominal thread size	16
Thread increase	1.41 mm
Fibre-glass reinforced	no
Halogen-free	no
Impact-resistant	no
WAF	26
Strain relief option	yes
Clamping range, max.	15.5 mm
Clamping range, min.	11 mm