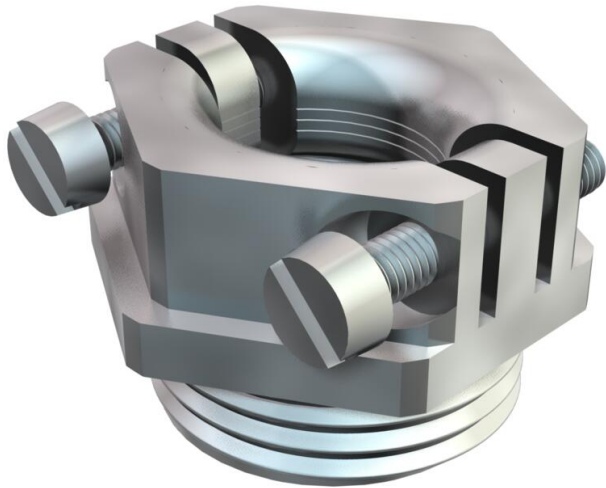


Technical data sheet

Pressure screw, PG strain relief

Item number: 2013215



Pressure screw with centrally acting transverse clip strain relief, rust-proof stainless steel screws.

With bend protection and strain relief.

* Prices according to DEL notation.



CuZn
37 Brass

N Nickel-plated

Master data

Item number	2013215
Type	157 MS PG21
Description 1	Pressure screw
Description 2	with strain relief
Manufacturer	OBO
Dimension	PG21
Material	Brass
Surface	Nickel-plated
Surface standard	
Smallest sales unit	50
Unit of quantity	Piece
Weight	4.5 kg
Weight unit	kg/100 pc.

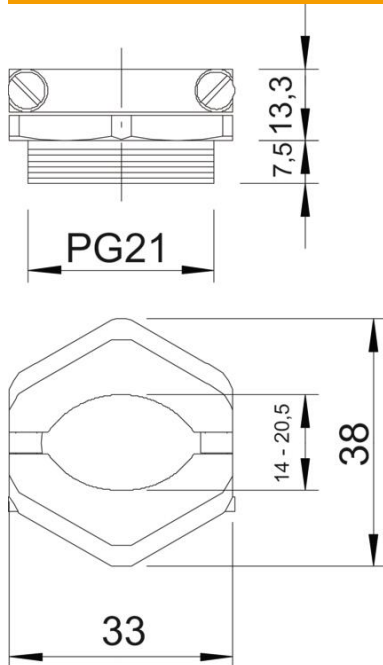
Technical data sheet

Pressure screw, PG strain relief

Item number: 2013215



Dimensions



Dimension D	11.4 mm
Dimension E	38 mm
Dimension L1	7.5 mm
Dimension L2	13.3 mm

Technical data

Thread type	PG
Thread length	7.5 mm
Nominal thread size	21
Thread increase	1.59 mm
Fibre-glass reinforced	no
Halogen-free	no
Impact-resistant	no
WAF	33
Strain relief option	yes
Clamping range, max.	20.5 mm
Clamping range, min.	14 mm