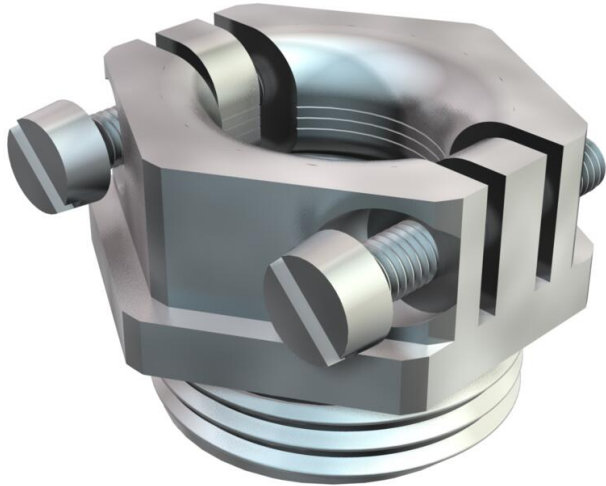


Technical data sheet

Pressure screw, PG strain relief

Item number: 2013290



Pressure screw with centrally acting transverse clip strain relief, rust-proof stainless steel screws.

With bend protection and strain relief.

* Prices according to DEL notation.



CuZn
37 Brass

N Nickel-plated

Master data

Item number	2013290
Type	157 MS PG29
Description 1	Pressure screw
Description 2	with strain relief
Manufacturer	OBO
Dimension	PG29
Material	Brass
Surface	Nickel-plated
Surface standard	
Smallest sales unit	25
Unit of quantity	Piece
Weight	9.156 kg
Weight unit	kg/100 pc.

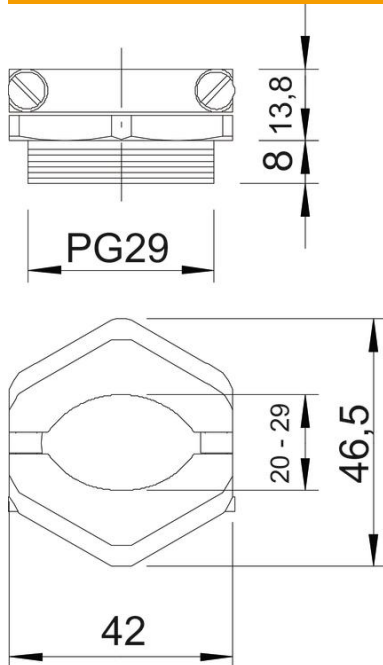
Technical data sheet

Pressure screw, PG strain relief

Item number: 2013290



Dimensions



Dimension D	17.4 mm
Dimension E	46.5 mm
Dimension L1	8 mm
Dimension L2	13.8 mm

Technical data

Thread type	PG
Thread length	8 mm
Nominal thread size	29
Thread increase	1.59 mm
Fibre-glass reinforced	no
Halogen-free	no
Impact-resistant	no
WAF	42
Strain relief option	yes
Clamping range, max.	29 mm
Clamping range, min.	20 mm