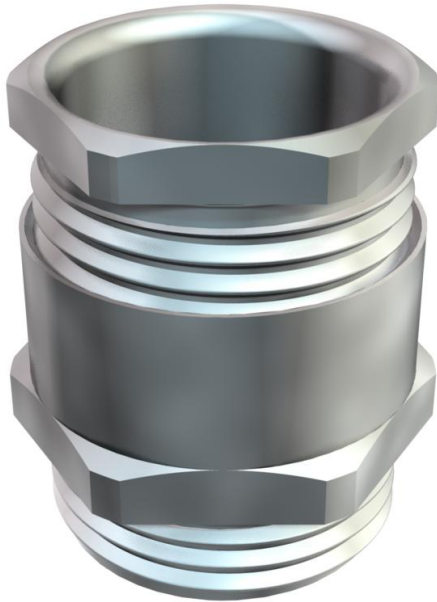


Technical data sheet

Cone cable gland, PG thread, cutting ring, nickel-plated

Item number: 2082527



Cable gland with hexagonal intermediate connector, shape C4, to DIN 46320 with Pg connection thread to DIN 40430.

Pressure rings made of electrogalvanised and transparently passivated steel.

NR/SBR sealing ring.

Protection rating: with connection thread sealing ring IP 65, without connection thread sealing ring IP 54.

With cutting ring.

* Prices according to DEL notation.



CuZn
37 Brass

N Nickel-plated

Master data

Item number	2082527
Type	162 MS PG13.5
Description 1	Cable gland
Description 2	with cutting ring
Manufacturer	OBO
Dimension	PG13,5
Material	Brass
Surface	Nickel-plated
Surface standard	
Smallest sales unit	50
Unit of quantity	Piece
Weight	2.63 kg
Weight unit	kg/100 pc.

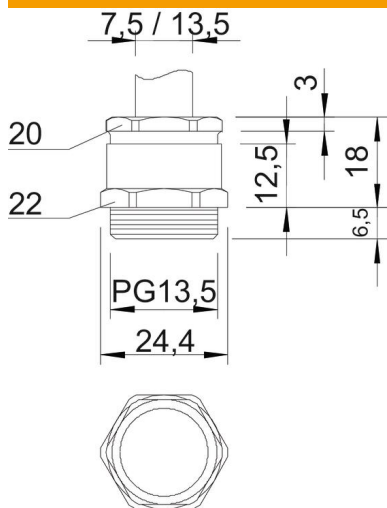
Technical data sheet

Cone cable gland, PG thread, cutting ring, nickel-plated



Item number: 2082527

Dimensions



Dimension E	24.4 mm
Dimension L	18 mm
Dimension L max.	18 mm
Dimension L1	6.5 mm
Dimension L2	12.5 mm
Dimension L3	3 mm

Technical data

Type of seal	Cutttable sealing ring
Bend protection	no
Sealing area D, max.	13.5 mm
Sealing area D, min.	7.5 mm
explosion-proof	no
Flat cable gland	no
For Ex zone	Without
Thread	Pg 13,5
Thread type	PG
Thread length	6.5 mm
Fibre-glass reinforced	no
Halogen-free	no
Sealing insert, multiple	no
With locknut	no
Impact-resistant	no
WAF 1	22 mm
WAF 2	20 mm
Protection rating	IP54
Strain relief option	no