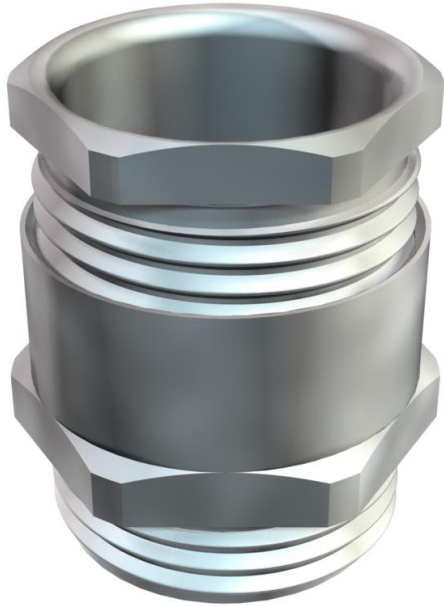


# Technical data sheet

Cone cable gland, PG thread, small cutting ring, nickel-plated

Item number: 2082292



Cable gland with hexagonal intermediate connector, shape C4, to DIN 46320 with Pg connection thread to DIN 40430.

Pressure rings made of electrogalvanised and transparently passivated steel.

NR/SBR sealing ring.

Protection rating: with connection thread sealing ring IP 65, without connection thread sealing ring IP 54.

With simple sealing ring, with small internal diameter.

\* Prices according to DEL notation.



**CuZn**  
37 Brass

**N** Nickel-plated

## Master data

Item number	2082292
Type	163 MS PG29
Description 1	Cable gland
Manufacturer	OBO
Dimension	PG29
Material	Brass
Surface	Nickel-plated
Surface standard	
Smallest sales unit	10
Unit of quantity	Piece
Weight	8.21 kg
Weight unit	kg/100 pc.

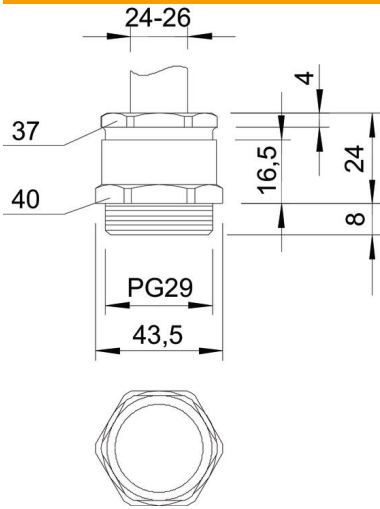
# Technical data sheet

Cone cable gland, PG thread, small cutting ring, nickel-plated

Item number: 2082292



## Dimensions



Dimension E	43.5 mm
Dimension L	24 mm
Dimension L max.	24 mm
Dimension L1	8 mm
Dimension L2	16.5 mm
Dimension L3	4 mm

## Technical data

Type of seal	Sealing ring
Bend protection	no
Sealing area D, max.	26 mm
Sealing area D, min.	24 mm
explosion-proof	no
Flat cable gland	no
For Ex zone	Without
Thread	Pg 29
Thread type	PG
Thread length	8 mm
Fibre-glass reinforced	no
Halogen-free	no
Sealing insert, multiple	no
With locknut	no
Impact-resistant	no
WAF 1	40 mm
WAF 2	37 mm
Protection rating	IP54
Strain relief option	no