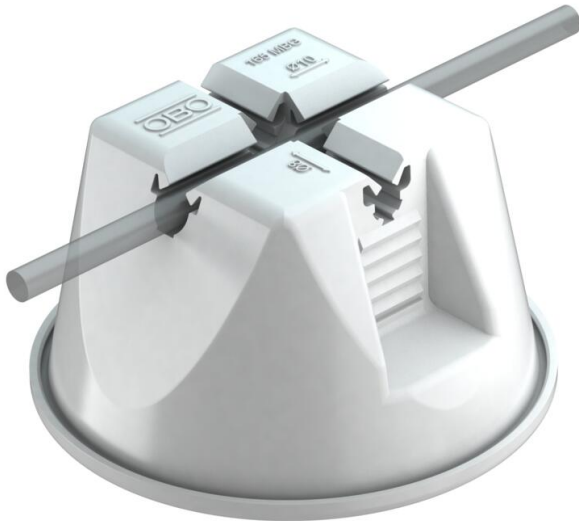


# Technical data sheet

165 MBG... roof cable holder for flat roofs, grey, with concrete

Item number: 5218708



- Closed form with base
- With double conductor holder
- Filling weight 1 kg (frost resistant concrete)
- Case made from polyethylene, light grey, UV-resistant and weatherproof
- Base made from polyamide PA 6, light grey, UV-resistant and weatherproof
- Base suitable for nearly all roofing membrane systems (bitumen, PVC)

**PA/PE** Polyamide/Polyethylene

## Master data

Item number	5218708
Type	165 MBG-8-10 GR
Description 1	Roof conductor holder
Description 2	for flat roofs
Manufacturer	OBO
Dimension	8-10mm
Colour	Grey
Material	Polyamide/Polyethylene
Smallest sales unit	12
Unit of quantity	Piece
Weight	100 kg
Weight unit	kg/100 pc.

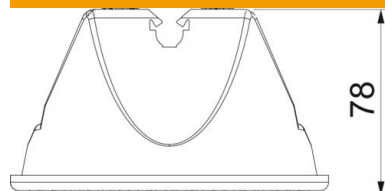
# Technical data sheet

165 MBG... roof cable holder for flat roofs, grey, with concrete

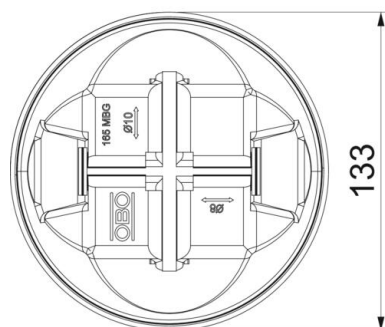
Item number: 5218708



## Dimensions



Length 133.5 mm



## Technical data

Application	Flat roof
Conductor fastening type	With clip
Conductor diameter, max.	10
Conductor diameter, min.	8
Mounting type	Miscellaneous
Fit	Rd 8-10 mm
Material of the holder	Plastic
Material of the support	Concrete