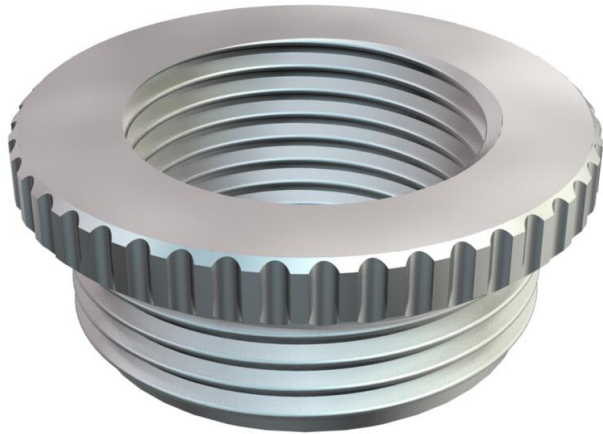


Technical data sheet

Reduction, metric thread

Item number: 2089637



Reduction (Part H) in accordance with DIN 46320, with metric thread to DIN EN 60423 or ISO 68.

* Prices according to DEL notation.



CuZn
37 Brass

N Nickel-plated

Master data

Item number	2089637
Type	167 R MS M63-50
Description 1	Reduction
Manufacturer	OBO
Dimension	M63-M50
Material	Brass
Surface	Nickel-plated
Surface standard	
Smallest sales unit	10
Unit of quantity	Piece
Weight	10.09 kg
Weight unit	kg/100 pc.

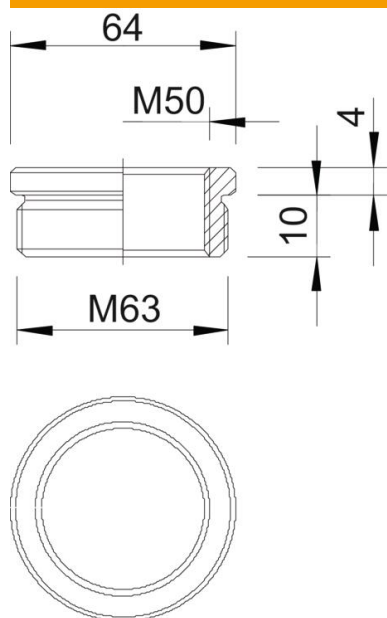
Technical data sheet

Reduction, metric thread

Item number: 2089637



Dimensions



Dimension D	64 mm
Dimension L1	10 mm
Dimension L2	4 mm

Technical data

explosion-proof	no
Thread type: External thread	Metric
Thread type: Internal thread	Metric
Thread length	10 mm
Thread dimension, metric, external	63
Thread dimension, metric, internal	50
Nickel-plated	yes