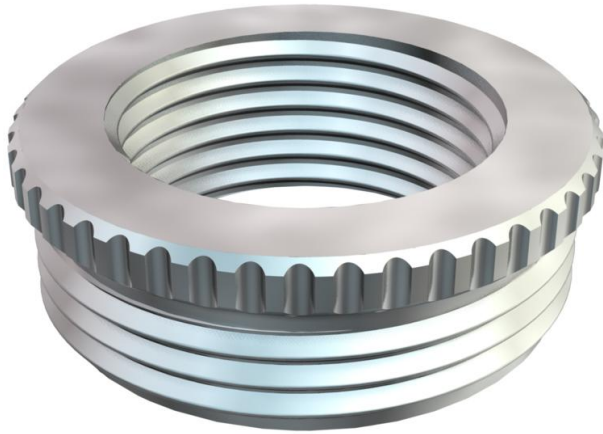


# Technical data sheet

Reduction, PG thread

Item number: 2089297



Reduction (Part H) to DIN 46320, with Pg thread to DIN 40430, as a transition from a PG thread hole to a smaller cable gland.

\* Prices according to DEL notation.



**CuZn**  
37 Brass

**N** Nickel-plated

## Master data

Item number	2089297
Type	167 R MS PG29-16
Description 1	Reduction
Manufacturer	OBO
Dimension	PG29-PG16
Material	Brass
Surface	Nickel-plated
Surface standard	
Smallest sales unit	50
Unit of quantity	Piece
Weight	6.56 kg
Weight unit	kg/100 pc.

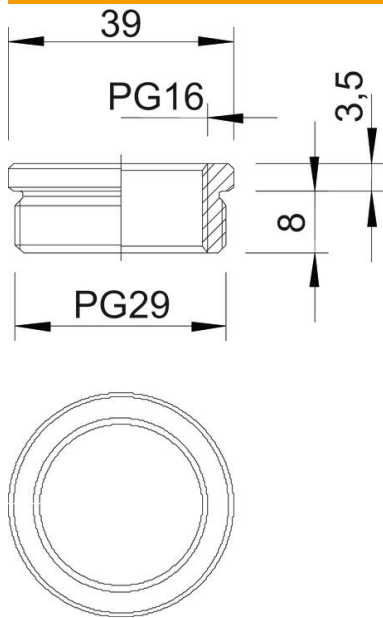
# Technical data sheet

Reduction, PG thread

Item number: 2089297



## Dimensions



Dimension D	39 mm
Dimension L1	8 mm
Dimension L2	3.5 mm

## Technical data

explosion-proof	no
Thread type: External thread	PG
Thread type: Internal thread	PG
Thread length	8 mm
Thread dimension, PG, external	29
Thread dimension, PG, internal	16
Nickel-plated	yes