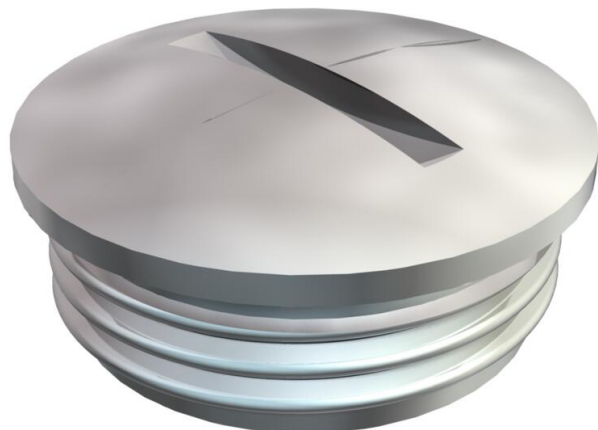


Technical data sheet

Screw plug, metric thread

Item number: 2090589



Screw plug N in accordance with DIN 46320, with metric thread to DIN EN 60423 or ISO 68.

In conjunction with sealing ring, types 107, 170 or 171, protection rating IP68 (5 bar/1 hr).

Sealing ring not contained in the scope of delivery.

* Prices according to DEL notation.



CuZn
37 Brass

N Nickel-plated

Master data

Item number	2090589
Type	168 MS M50
Description 1	Screw plug
Manufacturer	OBO
Dimension	M50
Material	Brass
Surface	Nickel-plated
Surface standard	
Smallest sales unit	25
Unit of quantity	Piece
Weight	6.31 kg
Weight unit	kg/100 pc.

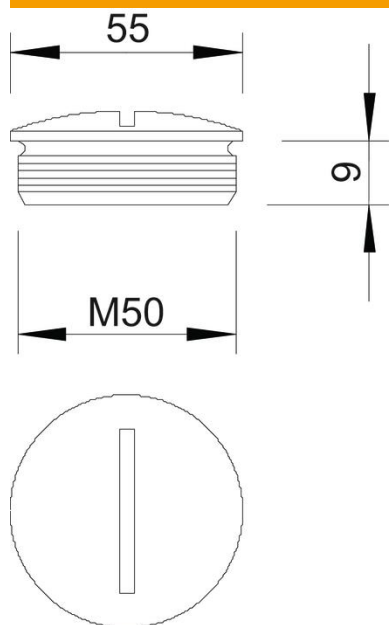
Technical data sheet

Screw plug, metric thread

Item number: 2090589



Dimensions



Length	54 mm
Width	54 mm
Height	15.5 mm
Dimension D	54 mm
Dimension L	9 mm

Technical data

explosion-proof	no
For Ex zone gas	Without
For Ex zone dust	Without
Thread	M50 x 1,5
Thread type	Metric
Nominal thread size metric/PG	50
Thread increase	1.5 mm
Fibre-glass reinforced	no
Halogen-free	no
Impact-resistant	no
Protection rating	IP68