

# Technical data sheet

## Locknut, metric thread with cutting teeth

Item number: 2091705



Locknuts DIN 46319 with metric thread IEC 423.

\* Prices according to DEL notation.



**CuZn**  
37 Brass

**N** Nickel-plated

### Master data

Item number	2091705
Type	169 MSS M12
Description 1	Locknut
Description 2	with cutting teeth
Manufacturer	OBO
Dimension	M12x1,5
Material	Brass
Surface	Nickel-plated
Surface standard	
Smallest sales unit	50
Unit of quantity	Piece
Weight	0.355 kg
Weight unit	kg/100 pc.

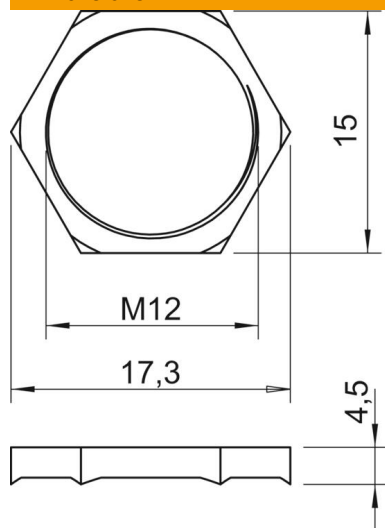
# Technical data sheet

Locknut, metric thread with cutting teeth

Item number: 2091705



## Dimensions



Dimension E	17.3 mm
Dimension L	4.5 mm

## Technical data

Thread	M12_x_1,5
Thread type	Metric
Nominal thread size metric/PG	12
Fibre-glass reinforced	no
Halogen-free	no
Impact-resistant	no
WAF	15