

Technical data sheet

Cable bracket for Rd 8 mm, through-way Ø 5 mm, copper-plated

Item number: 5207800



- With female thread M6 or through hole Ø 5 mm
- From stainless steel (V2A)
- VA-VK: copper-plated

- A2** Stainless steel
- Cu** Copper-plated

Master data

Item number	5207800
Type	177 20 VA-VK M6
Description 1	Cable fixing device
Manufacturer	OBO
Dimension	8mm
Material	Stainless steel
Surface	Copper-plated
Surface standard	
Smallest sales unit	20
Unit of quantity	Piece
Weight	2.5 kg
Weight unit	kg/100 pc.

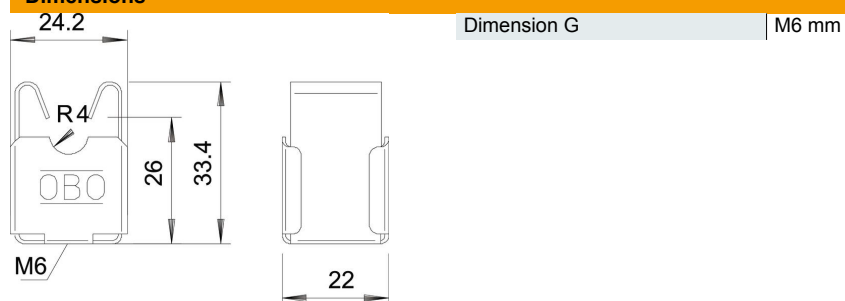
Technical data sheet

Cable bracket for Rd 8 mm, through-way \varnothing 5 mm, copper-plated

Item number: 5207800



Dimensions



Technical data

Holder fastening type	Drill hole with M-thread
Conductor fastening type	With clip
Thread metric	6
Cable dimensions	8 mm round
Mounting height	20 mm