

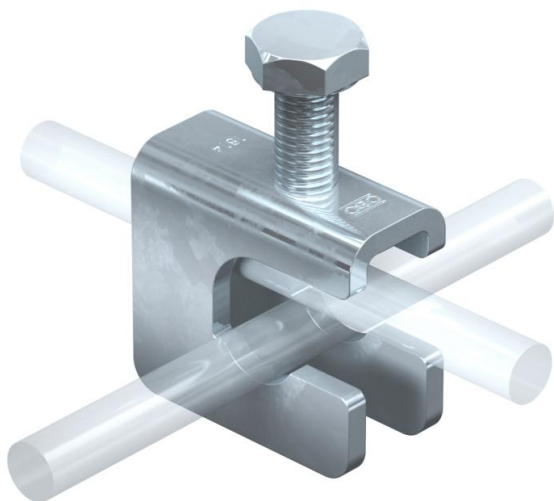
Technical data sheet

VARIO earthing terminal for reinforced steels



Item number: 5014471

- For reinforced steel with 6–14 mm diameter and round and flat conductors
- Rapid installation using elongated open slot and only one M10 bolt



St Steel

FT Hot-dip galvanised

Master data

Item number	5014471
Type	1814 FT D14
Description 1	Variable earthing terminal
Description 2	for reinforcement 6-14mm
Manufacturer	OBO
Dimension	47x22x55
Material	Steel
Surface	Hot-dip galvanised
Surface standard	DIN EN ISO 1461
Smallest sales unit	25
Unit of quantity	Piece
Weight	15.34 kg
Weight unit	kg/100 pc.

Technical data

Type of fastening screw	Hexagonal bolt
Type of connector	Multipurpose connection clamp
Lightning current carrying capacity	N/50 kA
Earthing connection diameter	Other

Technical data sheet

VARIO earthing terminal for reinforced steels

Item number: 5014471



Technical data

Flat conductor width, conductor 1, max.	30 mm
Flat conductor width, conductor 1, min.	20 mm
Suitable for connection	Miscellaneous
Fit	FL30x3-4mm /Rd 8-10 x Rd 6-14 mm
Round conductor diameter, conductor 1, max.	10 mm
Round conductor diameter, conductor 1, min.	8 mm
Round conductor diameter, conductor 2, max.	14 mm
Round conductor diameter, conductor 2, min.	8 mm