

# Technical data sheet

## ISO nail clip 2009, light grey

Item number: 2232822



ISO nail clip, short design



**PP** Polypropylene

### Master data

Item number	2232822
Type	2009 35 LGR SO
Description 1	ISO nail clip
Manufacturer	OBO
Dimension	9mm, L35
Colour	Light grey; RAL 7035
Material	Polypropylene
Smallest sales unit	300
Unit of quantity	Piece
Weight	0.134 kg
Weight unit	kg/100 pc.

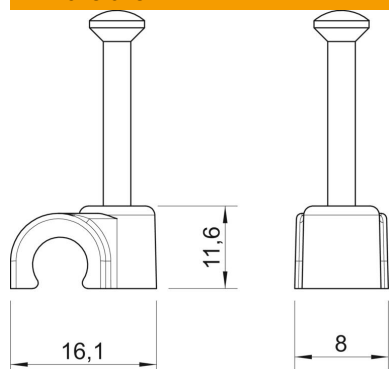
# Technical data sheet

## ISO nail clip 2009, light grey



Item number: 2232822

### Dimensions



Dimension B	8 mm
Dimension H	11.6 mm
Dimension L	16.1 mm

### Technical data

Double clip	no
Shape for cable diameter	Round (for round conductor)
For nail diameter	2,0x35
Hardened	yes
Halogen-free	yes
With nail	yes
Nail length	35 mm
Impact-resistant	no
Transparent	no
Pipe locking	no