

Technical data sheet

ISO nail clip 2011, pure white

Item number: 2225905



ISO nail clip, short design



PP Polypropylene

Master data

Item number	2225905
Type	2011 25 RW
Description 1	ISO nail clip
Manufacturer	OBO
Dimension	11mm, L25
Colour	Pure white; RAL 9010
Material	Polypropylene
Smallest sales unit	100
Unit of quantity	Piece
Weight	0.138 kg
Weight unit	kg/100 pc.

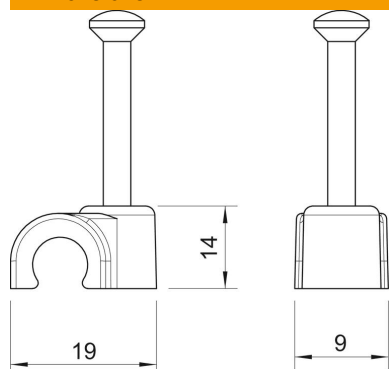
Technical data sheet

ISO nail clip 2011, pure white

Item number: 2225905



Dimensions



Dimension B	9 mm
Dimension H	14 mm
Dimension L	19 mm

Technical data

Double clip	no
Shape for cable diameter	Round (for round conductor)
For nail diameter	11 mm
Hardened	2,0x25
Halogen-free	yes
With nail	yes
Nail length	yes
Impact-resistant	25 mm
Pipe locking	no