

Technical data sheet

ISO nail clip 2016, white

Item number: 2226219



ISO nail clip, short design



PP Polypropylene

Master data

| | |
|---------------------|----------------------|
| Item number | 2226219 |
| Type | 2016 40 RW |
| Description 1 | ISO nail clip |
| Manufacturer | OBO |
| Dimension | 16mm, L40 |
| Colour | Pure white; RAL 9010 |
| Material | Polypropylene |
| Smallest sales unit | 50 |
| Unit of quantity | Piece |
| Weight | 0.32 kg |
| Weight unit | kg/100 pc. |

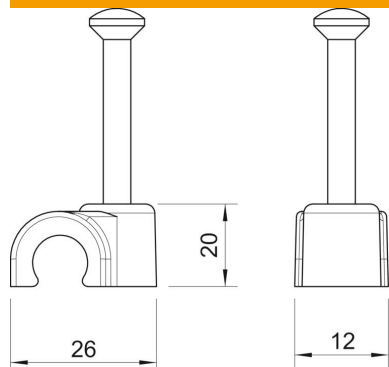
Technical data sheet

ISO nail clip 2016, white

Item number: 2226219



Dimensions



| | |
|-------------|-------|
| Dimension B | 12 mm |
| Dimension H | 20 mm |
| Dimension L | 26 mm |

Technical data

| | |
|--------------------------|-----------------------------|
| Double clip | no |
| Shape for cable diameter | Round (for round conductor) |
| For nail diameter | 16 mm |
| Hardened | 2,0x40 |
| Halogen-free | yes |
| With nail | yes |
| Nail length | 40 mm |
| Impact-resistant | no |
| Pipe locking | no |