

Technical data sheet

Adhesive clip 2026, light grey

Item number: 2228432



Adhesive clip, for clamping to the cable.



PP Polypropylene

Master data

Item number	2228432
Type	2026 25 LGR SP
Description 1	Self-retaining clip
Description 2	large packaging
Manufacturer	OBO
Dimension	7-12mm, L25
Colour	Light grey; RAL 7035
Material	Polypropylene
Smallest sales unit	200
Unit of quantity	Piece
Weight	0.111 kg
Weight unit	kg/100 pc.

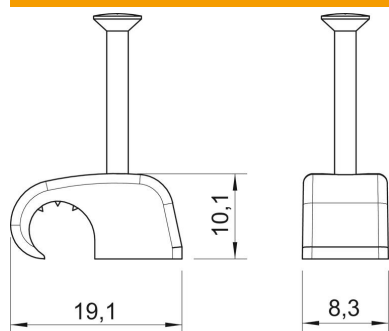
Technical data sheet

Adhesive clip 2026, light grey

Item number: 2228432



Dimensions



Dimension B	8.3 mm
Dimension H	10.1 mm
Dimension L	19.1 mm

Technical data

Double clip	no
Shape	Round (for round conductor)
for cable diameter, max.	12 mm
for cable diameter, min.	7 mm
For nail diameter	2 x 25
Hardened	yes
Halogen-free	yes
With nail	yes
Nail length	25 mm
Impact-resistant	yes
Pipe locking	no