

# Technical data sheet

Series clip, graphite black

Item number: 2255502



Heavyweight version, also suitable for rails of 16 ÷ 17 mm slot width; polyamide clip element, light grey RAL 7035; Metal parts: Electrogalvanised steel.



PA Polyamide

## Master data

Item number	2255502
Type	2054 14-48 SW
Description 1	Series clip
Description 2	with cross-head screw
Manufacturer	OBO
Dimension	14x48mm
Colour	Graphite black; RAL 9011
Material	Polyamide
Smallest sales unit	25
Unit of quantity	Piece
Weight	4.3 kg
Weight unit	kg/100 pc.

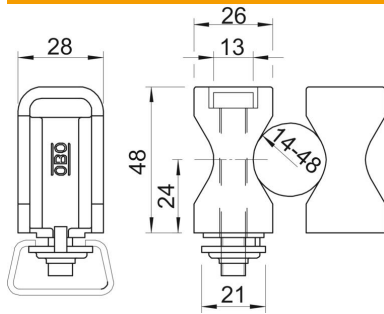
# Technical data sheet

Series clip, graphite black

Item number: 2255502



## Dimensions



Dimension B	26 mm
Dimension B1	14.5 mm
Dimension H	48 mm
Dimension H1	24 mm

## Technical data

Number of cables/pipes	1
Version for	Two-lobe
Fastening type	Rail fastening
for rail with slot width (with interval), max.	17 mm
for rail with slot width (with interval), min.	16 mm
Suitable in fire protection area	no
Halogen-free	yes
Plastic-covered	no
Impact-resistant	no
Bolt	M8 x 60
Clamping range D, max.	48 mm
Clamping range D, min.	14 mm
UV-resistant	no