

Technical data sheet

Clamp clip, triple, metal pressure trough

Item number: 1156241



Clamp clip with metal pressure trough, triple, 8–12 mm



St Steel

FT Hot-dip galvanised

Master data

Item number	1156241
Type	2056 M3 12 FT
Description 1	Clamp clip
Description 2	metal pressure sump, triple
Manufacturer	OBO
Dimension	8-12mm
Material	Steel
Surface	Hot-dip galvanised
Surface standard	DIN EN ISO 1461
Smallest sales unit	50
Unit of quantity	Piece
Weight	4.05 kg
Weight unit	kg/100 pc.

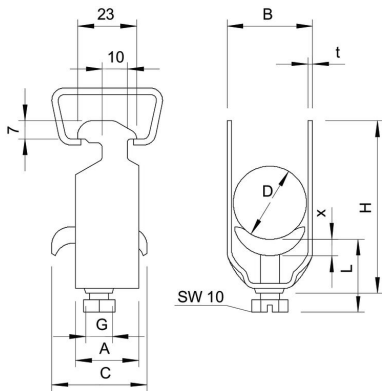
Technical data sheet

Clamp clip, triple, metal pressure trough

Item number: 1156241



Dimensions



Dimension A	23 mm
Dimension B	16 mm
Dimension C	34 mm
Dimension G (mm)	M6
Dimension H	70 mm
Dimension L	47 mm
Dimension t	1.5 mm
Dimension x	5 mm

Technical data

Number of cables/pipes	3
for rail with slot width (with interval), max.	17 mm
for rail with slot width (with interval), min.	16 mm
Halogen-free	no
Max. Tightening torque	3 Nm
With plastic trough	no
With metal trough	yes
Mounting type	Profile rail
Impact-resistant	no
Clamping range D, max.	12 mm
Clamping range D, min.	8 mm
Surface addition	hot galvanised
Material addition	Steel
With counter-trough	no
Material of trough	Steel