

# Technical data sheet

## Counter-trough, metal, universal A2

Item number: 1197177



Metal counter-trough, for mounting on clamp clip. Can be used universally, irrespective of the rail.



**A2** Stainless steel

**2B** Bright, treated

### Master data

Item number	1197177
Type	2058FW M 16 A2
Description 1	Counter-trough
Manufacturer	OBO
Dimension	12-16mm
Material	Stainless steel
Surface	Bright, treated
Surface standard	
Smallest sales unit	100
Unit of quantity	Piece
Weight	0.77 kg
Weight unit	kg/100 pc.

# Technical data sheet

## Counter-trough, metal, universal A2

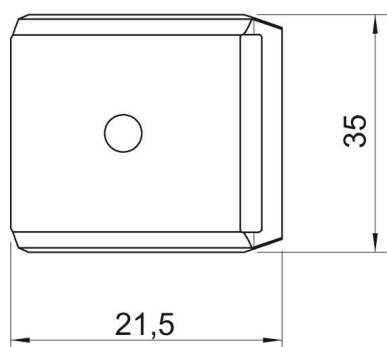
Item number: 1197177



### Dimensions



Dimension B	21.5 mm
Dimension H	7.7 mm
Dimension L	35 mm



### Technical data

Counter-trough/clip version	Counter sleeve
Suitable for max. cable diameter	16 mm
Halogen-free	yes
Clamping range D, max.	16 mm
Clamping range D, min.	12 mm