

# Technical data sheet

## Double trough, metal DD

Item number: 1199757



Metallic double trough as intermediate layer between two or three cables within a clamp clip.



**St** Steel

**DD** Strip galvanised zinc/aluminium, Double Dip

### Master data

Item number	1199757
Type	2058 M2 40 DD
Description 1	Double trough
Manufacturer	OBO
Dimension	34-40mm
Material	Steel
Surface	Strip galvanised zinc/aluminium, Double Dip
Surface standard	DIN EN 10346
Smallest sales unit	50
Unit of quantity	Piece
Weight	5.6 kg
Weight unit	kg/100 pc.

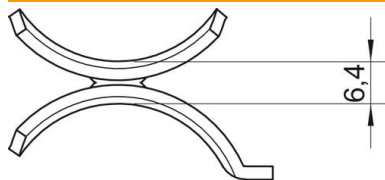
# Technical data sheet

## Double trough, metal DD

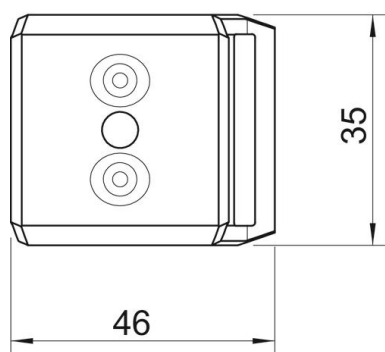
Item number: 1199757



### Dimensions



Dimension B	46 mm
Dimension H	6.4 mm
Dimension L	35 mm



### Technical data

Counter-trough/clip version	Double trough
Suitable for max. cable diameter	40 mm
Clamping range D, max.	40 mm
Clamping range D, min.	34 mm