

# Technical data sheet

## Screw-in spacer clip, universal

Item number: 1380729



With M6 thread.  
Universal clip with large tensioning area.

- St** Steel
- G** Electrogalvanized

### Master data

Item number	1380729
Type	2073 M6 G
Description 1	Distance saddle
Description 2	with threaded connection M6
Manufacturer	OBO
Dimension	44-60mm
Material	Steel
Surface	Electrogalvanized
Surface standard	EN ISO 19598 / EN ISO 4042
Smallest sales unit	20
Unit of quantity	Piece
Weight	9.66 kg
Weight unit	kg/100 pc.

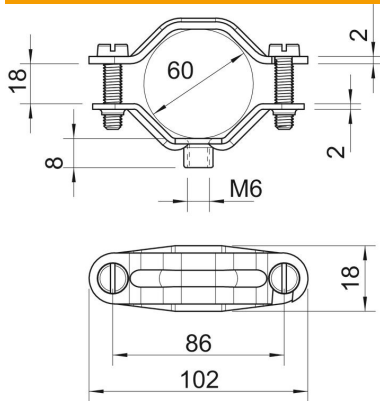
# Technical data sheet

## Screw-in spacer clip, universal

Item number: 1380729



### Dimensions



Length	102 mm
Width	18 mm
Dimension A	102 mm
Dimension B	86 mm
Dimension b	18 mm
Dimension D	60 mm
Dimension d min.	60 mm
Dimension H	8 mm
Dimension L	102 mm
Dimension t1 (mm)	2
Dimension t2 (mm)	2
Dimension x	18 mm

### Technical data

Version for	Closed
Fastening type	Screw hole
Suitable in fire protection area	no
Halogen-free	no
Plastic-covered	no
Hole size	M6 mm
Material thickness	2 mm
Bolt	M6 x 25
Clamping range D, max.	60 mm
Clamping range D, min.	44 mm
UV-resistant	yes