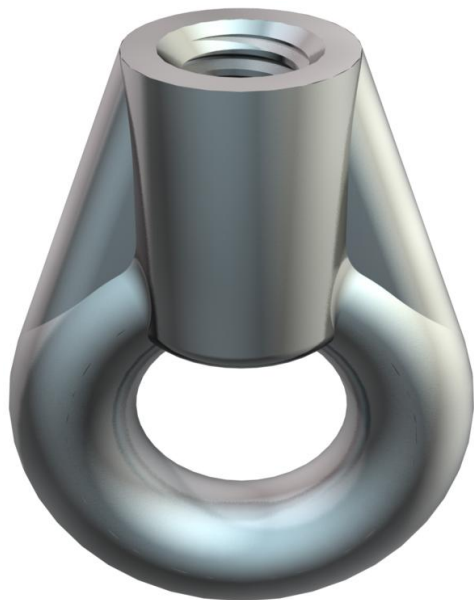


Technical data sheet

Ring eyelet

Item number: 3463583



Ring eyelet with metric internal thread.



- Zn** Die-cast zinc
- G** Electrogalvanized

Master data

Item number	3463583
Type	2084 M8 G
Description 1	Ring lug
Manufacturer	OBO
Dimension	M8
Material	Die-cast zinc
Surface	Electrogalvanized
Surface standard	EN ISO 19598 / EN ISO 4042
Smallest sales unit	100
Unit of quantity	Piece
Weight	2.1 kg
Weight unit	kg/100 pc.

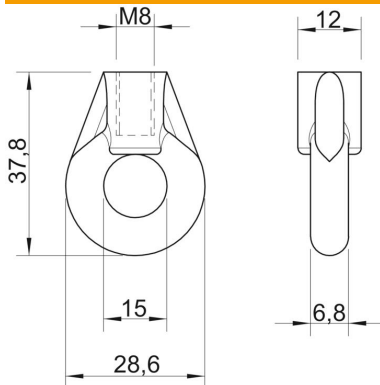
Technical data sheet

Ring eyelet

Item number: 3463583



Dimensions



Dimension b	6.8 mm
Dimension BØ	12 mm
Dimension D	28.6 mm
Dimension d Ø	15 mm
Dimension L	37.8 mm

Technical data

Breaking load	1.15 kN
Thread metric	8