

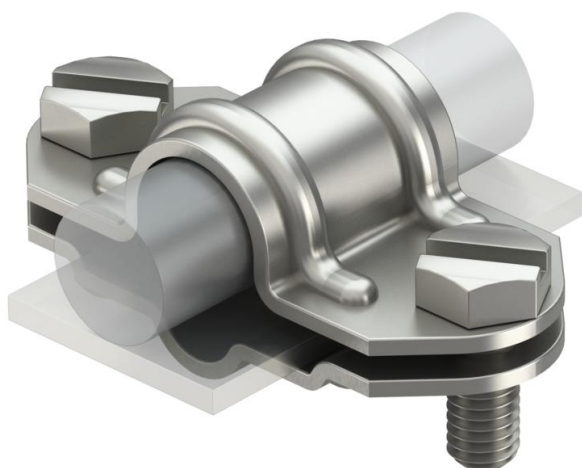
Technical data sheet

Universal separating piece A2

Item number: 5336058



- For fitting round conductors Rd 8–10 to Rd 16 or flat conductors FL30
- Including 2 hexagonal bolts M8 x 20 high-grade stainless steel (V2A)
- Conforms to the requirements according to VDE 0185-305 (IEC 62305)



A2 Stainless steel

Master data

Item number	5336058
Type	226 VA
Description 1	Separating piece
Manufacturer	OBO
Dimension	8-10mm
Material	Stainless steel
Smallest sales unit	10
Unit of quantity	Piece
Weight	8.7 kg
Weight unit	kg/100 pc.

Technical data

Suitable for connection	Miscellaneous
Fit	Rd 8-10/FL30 x 16 mm
Bimetal connector	no
Intermediate plate	no