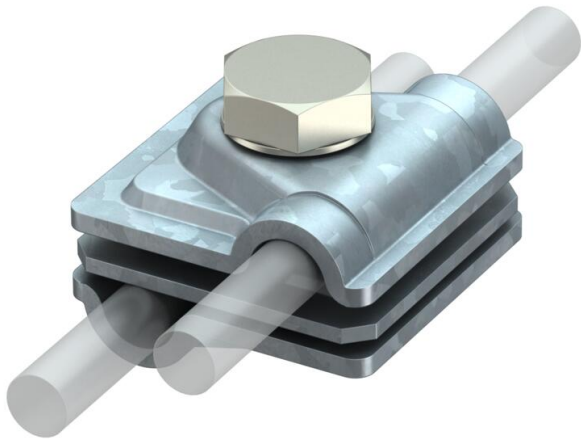


Technical data sheet

Variable earthing connector Rd 6-8/8-10 mm FT

Item number: 5311410



- For T, cross-over and parallel connections with adapter plates
- Quick mounting using an M10 x 30 bolt, made from rustproof stainless steel
- With sprung washer to DIN 137
- Corresponds to the requirements of VDE 0185-305 (IEC 62305)



St Steel

FT Hot-dip galvanised

Master data

Item number	5311410
Type	249 6-10 ST
Description 1	Quick connector
Description 2	Vario
Manufacturer	OBO
Dimension	40x40mm
Material	Steel
Surface	Hot-dip galvanised
Surface standard	DIN EN ISO 1461
Smallest sales unit	20
Unit of quantity	Piece
Weight	13.1 kg
Weight unit	kg/100 pc.

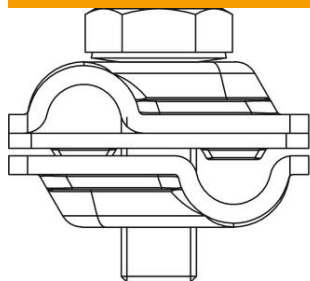
Technical data sheet

Variable earthing connector Rd 6-8/8-10 mm FT

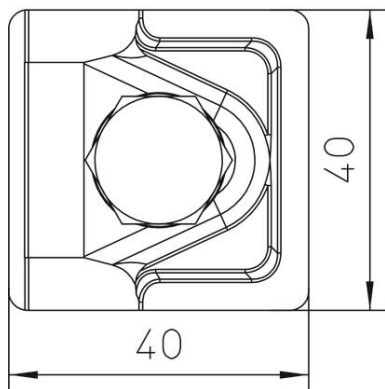
Item number: 5311410



Dimensions



Dimension A 40 mm



Technical data

Type of fastening screw	Hexagonal bolt
Type of connector	Multipurpose connection clamp
Lightning current carrying capacity	H/100 kA
Suitable for connection	Round conductor Rd 8–10 / Rd 8–10
Fit	RD 6-8 / 8-10 mm
Round conductor diameter, conductor 1, max.	8 mm
Round conductor diameter, conductor 1, min.	6 mm
Round conductor diameter, conductor 2, max.	10 mm
Round conductor diameter, conductor 2, min.	8 mm
Intermediate plate	yes