

Technical data sheet

Vario quick connector Rd 6-8 / Rd 6-8 mm

Item number: 5311423



- For T, cross and parallel connectors
- Quick installation using hexagonal bolt M10 x 30, high-grade stainless steel
- Conforms to the requirements according to DIN VDE 0185-305 (IEC 62305)



A2 Stainless steel

Master data

Item number	5311423
Type	249 6-8 VA CH
Description 1	Quick connector
Description 2	Vario
Manufacturer	OBO
Dimension	40x40mm
Material	Stainless steel
Smallest sales unit	10
Unit of quantity	Piece
Weight	9.14 kg
Weight unit	kg/100 pc.

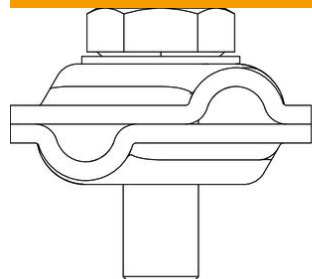
Technical data sheet

Vario quick connector Rd 6-8 / Rd 6-8 mm

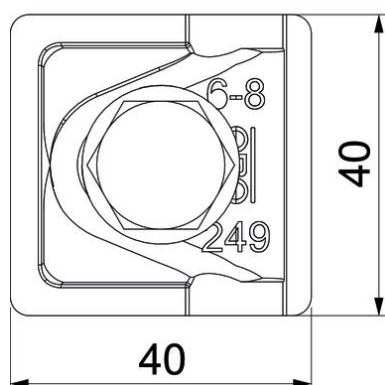
Item number: 5311423



Dimensions



Dimension A | 40 mm



Technical data

Type of fastening screw	Hexagonal bolt
Type of connector	Multipurpose connection clamp
Lightning current carrying capacity	H/100 kA
Suitable for connection	Round conductor Rd 6-8 / Rd 6-8
Fit	RD 6-8 / 6-8 mm
Intermediate plate	no