

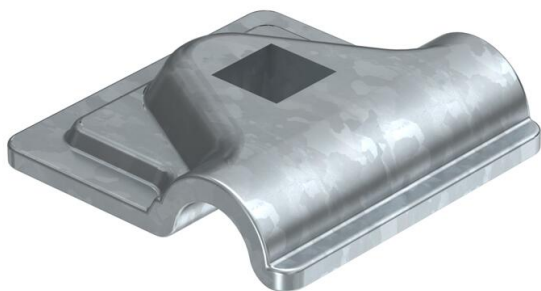
Technical data sheet

Quick connector, upper part Rd 8–10 mm

Item number: 5311503



- For round conductor fastening RD 8-10
- Suitable for M10 bolts



- St** Steel
- FT** Hot-dip galvanised

Master data

Item number	5311503
Type	249 8-10 ST-OT
Description 1	Quick connector
Description 2	cover
Manufacturer	OBO
Dimension	40x40mm
Material	Steel
Surface	Hot-dip galvanised
Surface standard	DIN EN ISO 1461
Smallest sales unit	100
Unit of quantity	Piece
Weight	3.24 kg
Weight unit	kg/100 pc.

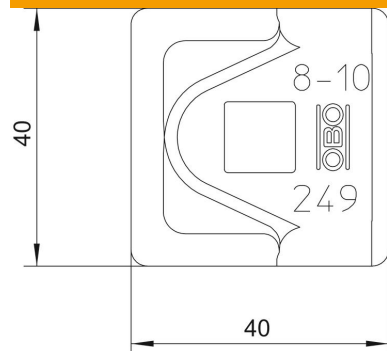
Technical data sheet

Quick connector, upper part Rd 8–10 mm

Item number: 5311503



Dimensions



Dimension A | 40 mm

Technical data

Fit | Rd 8-10 mm