

Technical data sheet

Quick connector, upper part Rd 8–10 mm VA

Item number: 5311554



- For round conductor Rd 8-10
- Suitable for M10 bolts



A2 Stainless steel

Master data

Item number	5311554
Type	249 8-10 VA-OT
Description 1	Quick connector
Description 2	cover
Manufacturer	OBO
Dimension	40x40mm
Material	Stainless steel
Smallest sales unit	100
Unit of quantity	Piece
Weight	3.13 kg
Weight unit	kg/100 pc.

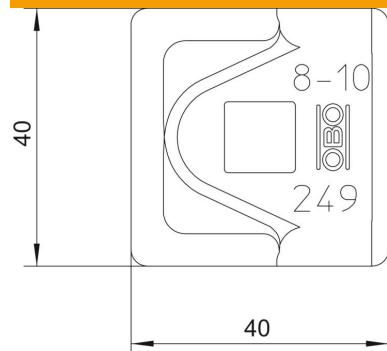
Technical data sheet

Quick connector, upper part Rd 8–10 mm VA

Item number: 5311554



Dimensions



Dimension A | 40 mm

Technical data

Fit | Rd 8-10 mm