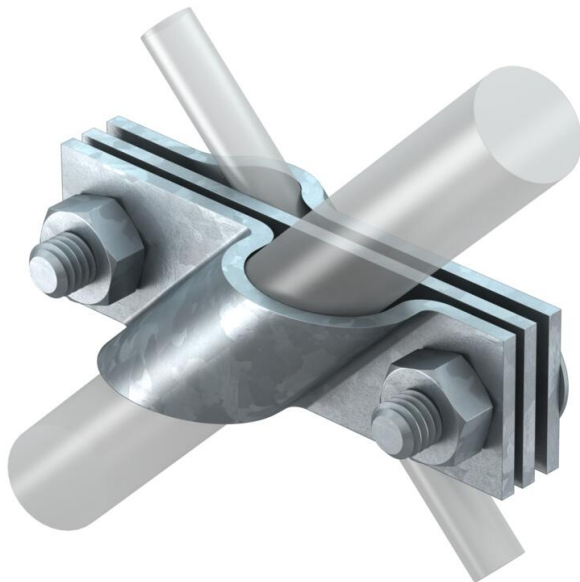


Technical data sheet

Connection clamp for earth rod, universal A2

Item number: 5001625



- Meets the requirements of VDE 0185-305-3 (IEC/ EN 62305-3)
- Suitable for connecting round conductors Rd 8-10 or flat conductors to FL 40
- With adapter plate
- Mounted with 2 hexagonal bolts M10 x 30 and 2 hexagonal bolts M10



A2 Stainless steel

Master data

Item number	5001625
Type	2760 B-20 VA
Description 1	Connecting strap
Description 2	for round wire
Manufacturer	OBO
Dimension	20mm
Material	Stainless steel
Smallest sales unit	20
Unit of quantity	Piece
Weight	32.4 kg
Weight unit	kg/100 pc.

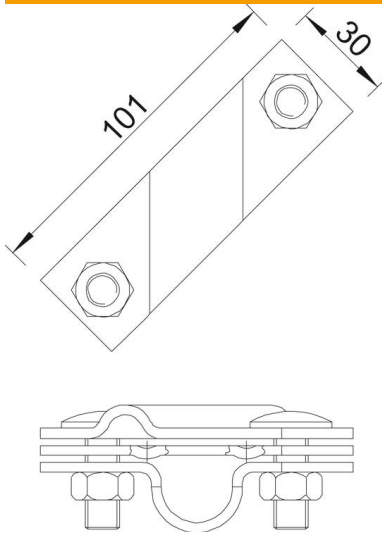
Technical data sheet

Connection clamp for earth rod, universal A2

Item number: 5001625



Dimensions



Dimension A | 101 mm

Technical data

Type	Connection clip
Earthing connection diameter for earth rods	20 mm
Suitable for round conductor diameters, max.	20 mm
Suitable for round conductor diameters, min.	10 mm
Fit	8 mm
Intermediate plate	Rd 8-10/FL40 mm
Clamping range, max.	no
Clamping range, min.	10 mm
Suitable for flat conductor width min.	8 mm
Suitable for flat conductor width max.	10 mm