

# Technical data sheet

## Screw-in spacer clip, heavy-duty version M10

Item number: 1388134



Can be screwed onto M10 thread. Size 27 FT is suitable for M25. Size 48.5 FT is suitable for M50. Size 60 FT is suitable for M63.



**St** Steel

**FT** Hot-dip galvanised

### Master data

|                     |                              |
|---------------------|------------------------------|
| Item number         | 1388134                      |
| Type                | 2900WM10 60 FT               |
| Description 1       | Distance saddle              |
| Description 2       | with threaded connection M10 |
| Manufacturer        | OBO                          |
| Dimension           | 2"                           |
| Material            | Steel                        |
| Surface             | Hot-dip galvanised           |
| Surface standard    | DIN EN ISO 1461              |
| Smallest sales unit | 15                           |
| Unit of quantity    | Piece                        |
| Weight              | 11.346 kg                    |
| Weight unit         | kg/100 pc.                   |

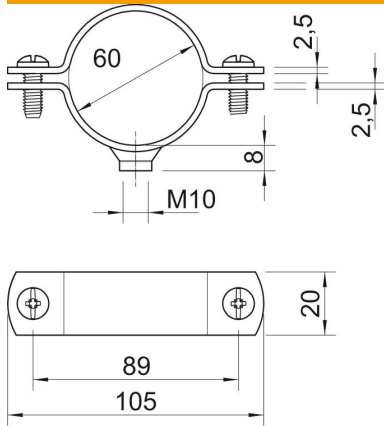
# Technical data sheet

## Screw-in spacer clip, heavy-duty version M10



Item number: 1388134

### Dimensions



|                   |        |
|-------------------|--------|
| Length            | 105 mm |
| Width             | 20 mm  |
| Dimension A       | 105 mm |
| Dimension B       | 89 mm  |
| Dimension L       | 105 mm |
| Dimension t       | 2.5 mm |
| Dimension t1 (mm) | 2.5    |
| Dimension x       | 4 mm   |

### Technical data

|                                  |            |
|----------------------------------|------------|
| Version for                      | Closed     |
| Fastening type                   | Screw hole |
| For diameter                     | 60         |
| for pipe diameter                | M63        |
| Suitable in fire protection area | no         |
| Thread                           | M10        |
| Size                             | 2"         |
| Halogen-free                     | no         |
| Plastic-covered                  | no         |
| Hole size                        | M10 mm     |
| Bolt                             | M6 x 20    |
| Clamping range D, max.           | 60 mm      |
| Clamping range D, min.           | 56 mm      |
| UV-resistant                     | yes        |