

Technical data sheet

Screw-in spacer clip, universal

Item number: 1383094



With M6 thread.



St Steel

G Electrogalvanized

Master data

Item number	1383094
Type	2900 M6 13-16 G
Description 1	Distance saddle
Description 2	with threaded connection M6
Manufacturer	OBO
Dimension	13,5-16mm
Material	Steel
Surface	Electrogalvanized
Surface standard	EN ISO 19598 / EN ISO 4042
Smallest sales unit	50
Unit of quantity	Piece
Weight	2.28 kg
Weight unit	kg/100 pc.

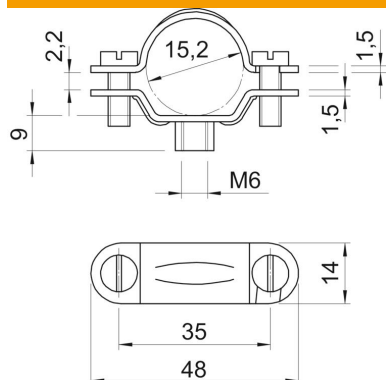
Technical data sheet

Screw-in spacer clip, universal

Item number: 1383094



Dimensions



Length	48 mm
Width	14 mm
Dimension A	48 mm
Dimension B	35 mm
Dimension b	14 mm
Dimension D	15.2 mm
Dimension d min.	15.2 mm
Dimension H	9 mm
Dimension L	48 mm
Dimension t1 (mm)	1.5
Dimension t2 (mm)	1.5
Dimension x	2.2 mm

Technical data

Version for	Closed
Fastening type	Screw hole
Size	M16
Halogen-free	no
Plastic-covered	no
Hole size	M6 mm
Material thickness	1.5 mm
Bolt	M5 x 14
Clamping range D, max.	16 mm
Clamping range D, min.	13.5 mm
UV-resistant	yes