

Technical data sheet

ISO base clip

Item number: 2136880



Can be screwed onto M6 thread.



PS Polystyrene

Master data

Item number	2136880
Type	2960 22 LGR SO
Description 1	ISO base clip
Manufacturer	OBO
Dimension	19-22mm
Colour	Light grey; RAL 7035
Material	Polystyrene
Smallest sales unit	50
Unit of quantity	Piece
Weight	1.296 kg
Weight unit	kg/100 pc.

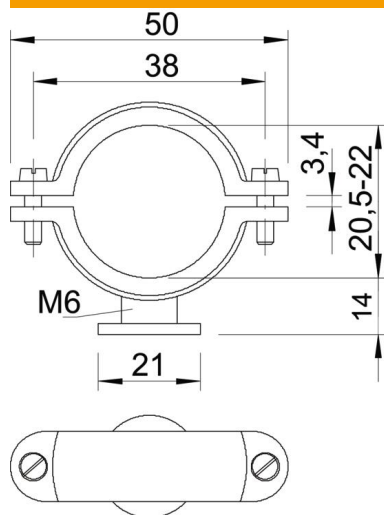
Technical data sheet

ISO base clip

Item number: 2136880



Dimensions



Dimension A	50 mm
Dimension B	38 mm
Dimension d	21 mm
Dimension H	14 mm
Dimension x	3.4 mm

Technical data

Number of cables/pipes	1
Version for	Closed
Fastening type	Screw hole
Suitable in fire protection area	no
Thread	M6
Size	Pg 9
Halogen-free	no
Plastic-covered	no
Bolt	M5 x 14
Clamping range D, max.	22 mm
Clamping range D, min.	19 mm
UV-resistant	no