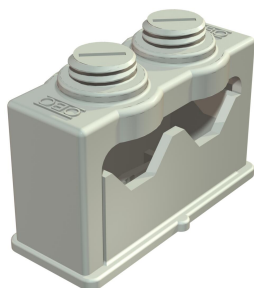


Technical data sheet

Grip ISO clip, double

Item number: 2107031



Solid cable fastening through clamping screws, with adhesive base, slot and for screwing to M6 thread.

Use the Impu-Fix ribbon conductor quick adhesive, type 509, to stick the polystyrene clips to masonry and concrete.



PS Polystyrene

Master data

Item number	2107031
Type	3041 2
Description 1	Grip ISO clip
Description 2	for 2 cables
Manufacturer	OBO
Dimension	16-24mm
Colour	Light grey; RAL 7035
Material	Polystyrene
Smallest sales unit	25
Unit of quantity	Piece
Weight	1.948 kg
Weight unit	kg/100 pc.

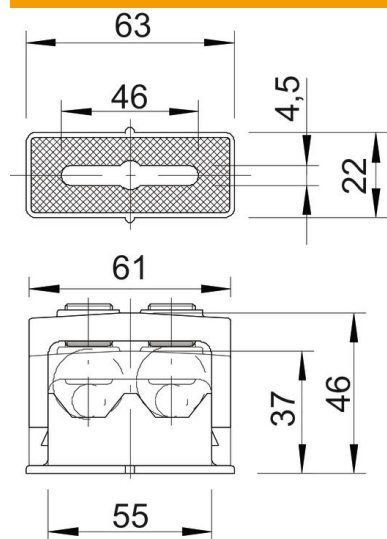
Technical data sheet

Grip ISO clip, double

Item number: 2107031



Dimensions



Dimension a	63 mm
Dimension a1 (mm)	46 mm
Dimension b	22 mm
Dimension b1	4.5 mm
Dimension c	61 mm
Dimension d	37 mm
Dimension e	46 mm
Dimension f	55 mm

Technical data

Expandable	no
Number of cables/pipes	2
Fastening type	Screw hole
Halogen-free	yes
Snap system	yes
Impact-resistant	yes
Clamping range D, max.	24 mm
Clamping range D, min.	16 mm