

# Technical data sheet

Pressure ISO clip 3051, single, pure white

Item number: 2102048



With adhesive base, slot and for screwing to M6 thread.  
Use the Impu-Fix ribbon conductor quick adhesive, type 509, to stick the polystyrene clips to masonry and concrete.



**PS** Polystyrene

## Master data

Item number	2102048
Type	3051 RW
Description 1	Pressure ISO clip
Manufacturer	OBO
Dimension	14-24mm
Colour	Pure white; RAL 9010
Material	Polystyrene
Smallest sales unit	50
Unit of quantity	Piece
Weight	0.72 kg
Weight unit	kg/100 pc.

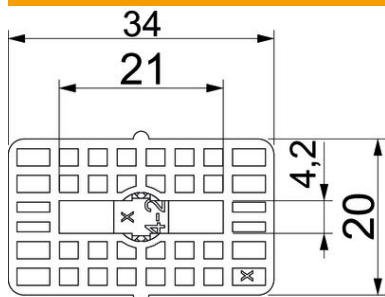
# Technical data sheet

Pressure ISO clip 3051, single, pure white

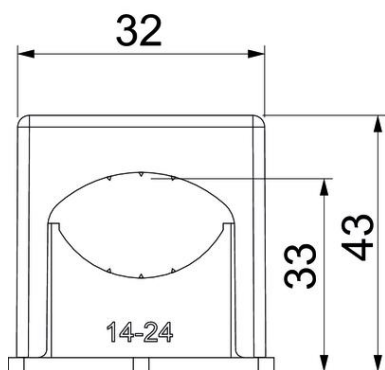
Item number: 2102048



## Dimensions



Dimension a	34 mm
Dimension a1 (mm)	21 mm
Dimension b	20 mm
Dimension b1	4.2 mm
Dimension c	32 mm
Dimension d	33 mm
Dimension e	43 mm



## Technical data

Expandable	no
Number of cables/pipes	1
Fastening type	Screw hole
Halogen-free	yes
Snap system	yes
Impact-resistant	yes
Clamping range D, max.	24 mm
Clamping range D, min.	14 mm