

Technical data sheet

Spacer for flat conductor, with wood screw and spacer piece

Item number: 5025206



- Fit: FL 30
- With spacer and cylinder bolts M6 x 16 (G)
- With wood bolts

| | |
|----|--------------------|
| St | Steel |
| FT | Hot-dip galvanised |

Master data

| | |
|---------------------|--------------------|
| Item number | 5025206 |
| Type | 370 H |
| Description 1 | Spacer |
| Description 2 | with wood screw |
| Manufacturer | OBO |
| Dimension | 55mm |
| Material | Steel |
| Surface | Hot-dip galvanised |
| Surface standard | DIN EN ISO 1461 |
| Smallest sales unit | 100 |
| Unit of quantity | Piece |
| Weight | 10.2 kg |
| Weight unit | kg/100 pc. |

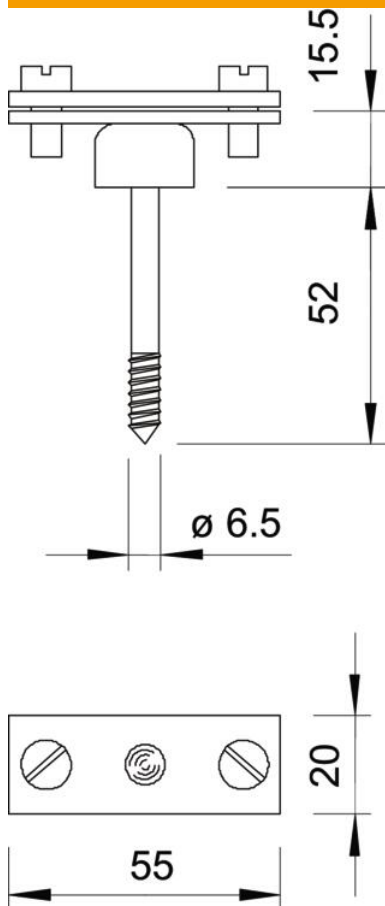
Technical data sheet

Spacer for flat conductor, with wood screw and spacer piece

Item number: 5025206



Dimensions



| | |
|-------------|-------|
| Dimension B | 55 mm |
|-------------|-------|

Technical data

| | |
|--------------------|--------------|
| Fit | max. FL30 mm |
| Intermediate plate | no |