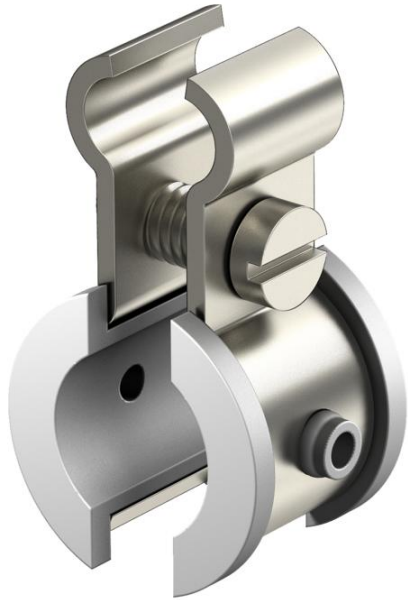


# Technical data sheet

## Fix ISO tensioning wire clip

Item number: 2307622



The cable and pipe fastenings of the special system include cable ties, fastening straps and installation strips, with which cable and pipe installations can be fastened to cable support systems such as cable or mesh cable trays or other mounting constructions. A complete tensioning wire system to suspend and catch cable weights is also a component part of the special system.



**A4** Stainless steel

**2B** Bright, treated

### Master data

Item number	2307622
Type	4021 K 6-13 A4
Description 1	Tensioning wire clip
Description 2	with plastic inserts
Manufacturer	OBO
Dimension	6-13mm
Material	Stainless steel
Surface	Bright, treated
Surface standard	
Smallest sales unit	100
Unit of quantity	Piece
Weight	1.295 kg
Weight unit	kg/100 pc.

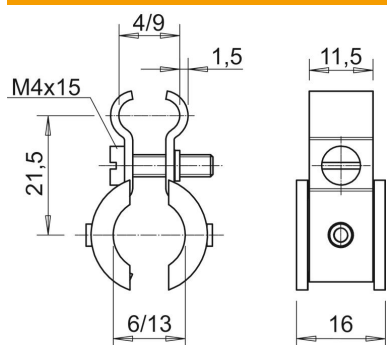
# Technical data sheet

## Fix ISO tensioning wire clip

Item number: 2307622



### Dimensions



Dimension A	21.5 mm
Dimension b	11.5 mm
Dimension b1	16 mm

### Technical data

Number of cables/pipes	1
Version for for cable diameter, max.	Not insulated 9 mm
Bolt	M4x16