

# Technical data sheet

ISO nail clip 4028 2-4

Item number: 2215047



OBO makes various fastening systems available for fastening cables securely on different substrates. Starting with the adhesive clip or ISO nail clips for fastening, e.g. on wooden beams, up to the Nail-Fix for fixing in masonry slits, OBO can offer a wide range of clips for nail fastening, suitable for steel nails 2 mm.



**PP** Polypropylene

## Master data

Item number	2215047
Type	4028
Description 1	ISO nail clip
Manufacturer	OBO
Dimension	2-4mm
Colour	Light grey; RAL 7035
Material	Polypropylene
Smallest sales unit	100
Unit of quantity	Piece
Weight	0.017 kg
Weight unit	kg/100 pc.

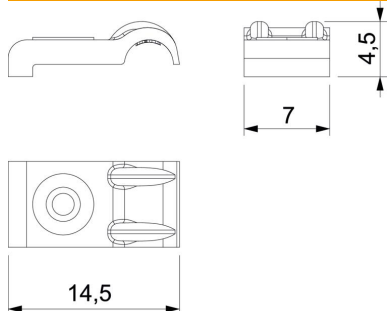
# Technical data sheet

ISO nail clip 4028 2-4

Item number: 2215047



## Dimensions



Dimension B	7 mm
Dimension H	4.5 mm
Dimension H1	1.5 mm
Dimension L	14.5 mm

## Technical data

Double clip	no
Shape	Rectangular (for flat conductor)
for cable diameter, max.	4 mm
for cable diameter, min.	2 mm
For nail diameter	2,0
Hardened	no
Halogen-free	yes
With nail	no
Impact-resistant	no
Pipe locking	no